



CAPE WINELANDS DISTRICT
MUNICIPALITY • MUNISIPALITEIT • UMASIPALA

T 2022/039
CONSTRUCTION / UPGRADING OF ABLUTION FACILITIES AT
RURAL SCHOOLS

Closing date: 11:00 on Friday, 26 August 2022

| | |
|--|---------------------------------------|
| Company Name | |
| Postal Address | |
| Telephone | |
| E-Mail | |
| TOTAL PRICE FOR EVALUATION PURPOSES | |
| Total price | R |
| Delivery Period | 6 months Period or as mutually agreed |

| TABLE OF CONTENT | | |
|-------------------------|---|-------------------|
| SECTION | DESCRIPTION | PAGE |
| PART T 1 | TENDER PROCEDURES | Index T 1 |
| T1.1 | Tender Notice and Invitation to Tender | T1.1.1 |
| T1.2 | Tender Data | T1.2.1 to T1.2.3 |
| T1.3 | Annex C: CIDB Standard Conditions of Tender | T1.3.1 to T1.3.12 |
| PART T 2 | RETURNABLE DOCUMENTS | Index T 2 |
| T2.1 | List of Returnable Documents | T2.1.1 to T2.1.2 |
| T2.2 | Returnable Schedules | T2.2.1 to T2.2.42 |
| PART C 1 | AGREEMENT AND CONTRACT DATA | Index C 1 |
| C1.1 | Form of Offer and Acceptance | C1.1.1 to C1.1.7 |
| C1.2 | Contract Data | C1.2.1 to C1.2.2 |
| PART C 2 | PRICING DATA | Index C 2 |
| C2.1 | Pricing Assumptions | C2.1.1 to C2.1.2 |
| C2.2 | Bill of Quantities | C2.2.1 to C2.2.4 |
| PART C 3 | SCOPE OF WORK | Index C 3 |
| C3.1 | Description of work | C3.1.1 to C3.1.5 |
| C3.2 | Health and Safety Specifications | C3.2.1 to C3.2.33 |
| C3.3 | Drawings | C3.3.1 to C3.3.3 |

PART T1: TENDER PROCEDURES

T1.1 Tender Notice and Invitation to Tender

T1.2 Tender Data

T1.3 Annex C: CIDB Standard Conditions of Tender

The following document forms an integral part of this tender:

Municipal Supply Chain Management Policy as adopted in terms of section 111 of the Municipal Finance Management Act, 2003 (Act No. 56 of 2003) and the relevant regulations.

The above-mentioned document is obtainable from The Cape Winelands District Municipality's Supply Chain Management Unit.

T1.1.1 Tender Notice and Invitation to Tender

T1.1 TENDER NOTICE AND INVITATION TO TENDER

Tenders are hereby invited from Service Providers with a CIDB grading of 1GB or higher for the construction / upgrading of ablution facilities at rural schools within Cape Winelands Area.

Technical enquiries regarding this bid may be directed to Mr C. Swart at tel. 0861 265 263.

A clarification meeting for Aan De Doorns Primary project will be held on **Wednesday, 17 August 2022 commencing strictly at 10h00**. Prospective tenderers can meet the Council's representative at 9:45 at Aan De Doorns Primary, Worcester. Contractors who do not attend the clarification meeting need to familiarise themselves with the site conditions.

This tender is subject to Regulation 8 "Local Production and Content" of the Preferential Procurement Policy Framework Act, 2000: Preferential Procurement Regulations, 2017 (No. R.32 dated 20 January 2017). Submitting of MBD 6.2 is compulsory. Bidders must use the exchange rate published by the South African Reserve Bank (SARB) at 12:00 on the date of the advertisement.

Closing date: 11:00 on Friday, 26 August 2022

Tender documents, in English, are available free of charge on the websites: www.capewinelands.gov.za or <https://etenders.treasury.gov.za>. Alternatively, hard copies of the document are obtainable from the offices of the Supply Chain Management Unit, Cape Winelands District Municipality at 29 Du Toit Street, Stellenbosch, upon payment of a non-refundable fee of R240,00 per document.

All prospective bidders must ensure that they are registered and accredited on the CWDM's Supplier Database and the Central Supplier Database, prior to the closing date of the tender.

Duly completed tenders must be enclosed in a (separate) sealed envelope and endorsed with the relevant tender number and description on the envelope/s. The sealed tenders must be placed in the official tender box of the District Municipality's offices at 29 Du Toit Street, Stellenbosch on the abovementioned time and dates.

Tenders will be opened in public as soon as possible after this closing time.

HF PRINS
MUNICIPAL MANAGER

T1.2: TENDER DATA

The conditions of tender are the Standard Conditions of Tender as contained in Annex F of Board Notice 136 of 2015 in Government Gazette 38960 of 10 July 2015, Construction Industry Development Board (CIDB) Standard for Uniformity in Construction Procurement. See www.cidb.org.za which is reproduced without amendment or alteration for the convenience of tenderers as Annex A to this Tender Data.

The Standard Conditions of Tender make several references to the Tender Data for details that apply specifically to this tender. The Tender Data shall have precedence in the interpretation of any ambiguity or inconsistency between it and the standard Conditions of Tender. Each item of data given below is cross-referenced to the clause in the Standard Conditions of Tender to which it mainly applies.

The following variations, amendments and additions to the Standard Conditions of Tender as set out in the Tender Data below shall apply to this tender.

| Clause | Wording |
|---------------|----------------|
|---------------|----------------|

| | |
|----------------|---|
| C.1.1.1 | The employer is Cape Winelands District Municipality. |
|----------------|---|

| | |
|--------------|-------------------------|
| C.1.2 | Tender Documents |
|--------------|-------------------------|

The tender documents issued by the employer comprise those listed in the contents page.

The Tender Document and possible drawings shall be obtained from the Employer at the physical address stated in the Tender Notice, upon payment of the fee stated in the Tender Notice.

| | |
|--------------|---|
| C.1.4 | Communication and Employer's Contact |
|--------------|---|

The Employer's agent is: C. Swart

| | |
|------------|--|
| Name: | Department Technical Services |
| Address: | P.O. Box 100, Stellenbosch,7599 |
| Attention: | Mr C. Swart |
| Tel: | 023 348 2300 |
| Fax: | 023 342 8442 |
| e-mail: | christo@capewinelands.gov.za |

| | |
|--------------|--|
| C.1.5 | Cancellation and Re-Invitation of Tenders |
|--------------|--|

Add the following

The CAPE WINELANDS DISTRICT MUNICIPALITY shall apply the principles of the Preferential Procurement Policy Framework Act, 2000 (Act No. 5 of 2000), it's Municipal Supply Chain Management Policy as adopted in terms of section 111 of the Municipal Finance Management Act, 2003 (Act No. 56 of 2003), and the relevant regulations. Depending on the tendered amount the Employer also reserves the right to award the contract in its entirety or partially.

C.2 **Tenderer's obligation**

C.2.1 **Eligibility**

C.2.1.1 *Add the following:*

Only those tenderers who satisfy the following criteria are eligible to submit tenders:

Construction Industry Development Board (CIDB) Registration

Only those tenderers who are registered with the CIDB, prior to the tender closing time and evaluation of submissions, in a contractor grading designation equal to or higher than a contractor grading designation determined in accordance with the sum tendered or a value determined in accordance with Regulation 25 (1B) or 25 (7A) of the Construction Industry Development Regulations, for a 3 CE class of construction work, or higher are eligible to have their tenders evaluated.

Department of Labour for Compensation for Occupational Injury and Diseases Act (COIDA) or any other accredited Compensation Insurer. A valid Letter of Good Standing must be handed in with the tender in this regard.

This tender is subject to Regulation 8 "Local Production and Content" of the Preferential Procurement Policy Framework Act, 2000: Preferential Procurement Regulations, 2017 (No. R.32 dated 20 January 2017). Submitting of MBD 6.2 is compulsory. Bidders must use the exchange rate published by the South African Reserve Bank (SARB) at 12:00 on the date of the advertisement.

C.2.7 **Clarification meeting**

A clarification meeting for Aan De Doorns Primary project will be held on **Wednesday, 17 August 2022 commencing strictly at 10h00**. Prospective tenderers can meet the Council's representative at 9:45 at Aan De Doorns Primary, Worcester. Contractors who do not attend the clarification meeting need to familiarise themselves with the site conditions

C.2.9 **Insurance**

Add the following

The employer will not provide any insurance for goods prior to the transfer of ownership.

C.2.12.1 **Add the following**

Replace with No alternative tender offers will be accepted.

C.2.13 **Submitting a Tender Offer**

Add the following

Tenderers shall not tamper with the Tender Documents which must be submitted as issued. Tender Documents found to have been unbound may be deemed unacceptable.

Each Tenderer is required to submit under sealed cover the complete set of Tender Documents with all the required information and complete in all respects. The envelope shall be addressed to the CAPE WINELANDS DISTRICT MUNICIPALITY and endorsed as described in the Tender Notice and placed in the tender box of the CAPE WINELANDS DISTRICT MUNICIPALITY before closing date and time of tender.

Any tender which is delivered to an address other than the one stipulated in the Tender Notice will not be accepted.

Uncompleted tenders must be clearly marked with the contract number, as well as "Uncompleted Tender".

C.2.13.3/C.2.13.5 *Add the following*

Parts of each tender offer communicated on paper shall be submitted as an original, plus zero (0) copies.

C.2.13.7/C.2.15.1 *Add the following*

The Employer's address for delivery of tender offers and identification details to be shown on each tender offer package are:

Location of tender box: 29 Du Toit Street, **STELLENBOSCH**, 7600

Physical address: 29 Du Toit Street, **STELLENBOSCH**, 7600

Identification details: **T 2022/039**

Title of Tender: **CONSTRUCTION / UPGRADING OF ABLUTION FACILITIES AT RURAL SCHOOLS**

C.2.13 /C.3.5 *Add the following*

A two-envelope procedure will not be followed.

C.2.15.1 *Add the following*

The closing time for submission of tender offers is stated in the Tender Notice and Invitation to Tender.

Telegraphic, telephonic, telex, facsimile or e-mailed tenders offers will not be accepted.

C.2.16.1 *Add the following*

The tendered offer validity period is 180 days.

C.2.23 *Add the following*

The tenderer is required to submit required certificates as listed in the Returnable Documents.

C.3.4 *Add the following*

The time and location for opening the tender offers are in accordance with C.2.15.1.

C.3.5.1 *Add the following*

The two-envelope system will not be followed for this contract.

C.3.5.2 Add the following

- The bidder must complete Schedule 5 - Schedule of Work Satisfactory, as part of the Returnable Schedules in order to obtain relevant points for functionality.
- The bidder must complete Schedule 6 - Schedule of Work Satisfactory by Foreman / Project Leader, as part of the Returnable Schedules in order to obtain relevant points for functionality.
- The description of the functionality of (quality) criteria and the maximum number of evaluation points allocated to each is shown in the table below. The score for functionality (quality) will be the sum of the scores for the individual criteria:

| Description | Reference | Scoring | | | Max Score |
|--|---|---|---|----------------------|-----------|
| | | Excellent (20) | Good (15) | Poor (10) | |
| Company's Previous Experience | (Schedule 5 - T.2.2.9 Returnable Schedules | More than 5 similar projects in the last 10 years | Between 3- and 5- similar projects in the last 10 years | Less than 3 projects | 20 |
| Foreman / Project leader previous experience | (Schedule 6 - T.2.2.10 Returnable Schedules | More than 5 similar projects in the last 10 years | Between 3- and 5- similar projects in the last 10 years | Less than 3 projects | 30 |
| Total | | | | | 50 |

- The tenderer must have successfully completed the similar projects in order to obtain points for functionality. (*Proof must be provided*)
- **A similar project** refers to the A similar project will be the construction of a building with the associated plumbing. **Relevant reference letters on company letter heads should be attached to this, no points will be scored if the reference letters are not provided. This will be verified during evaluation.**
- A minimum score of 30 needs to be obtained to be evaluated on Price and Preference.

EVALUATION AND AWARD

- Different sites will be evaluated as one tender and being awarded accordingly.

C.3.11.2 Add the following

The method for the evaluation of tender offers is Method 1: Price and Preference.

C.3.11.7 Add the following

The financial offer will be scored using Formula 2 where W_1 is;

80 where the financial value inclusive of VAT of all responsive tenders received do not exceed R50,000,000.00.

Up to 100 minus W_1 tender evaluation points will be awarded to tenders who duly complete the Preferential Procurement Declaration Schedule and who are found to be eligible for the preference claimed.

C.3.16.1 Add the following

The notification of the decision sent to the successful tenderer is not acceptance of the tender and no rights shall accrue to the successful tenderer in terms of this notification. The successful tenderer will be notified in writing after 14 days of the

notification of any final decision (e.g. Acceptance) or of any developments with respect to the appeal process, and if applicable, procedures for the commencement of work.

The consideration of appeals and if necessary, the invalidation of any decision made, shall be dealt with in terms of the Employer's appeals process.

Add the following to New Clause F.3.16

C.3.16.3 Appeal against the decision

In Part 1: SCM Policy for Goods and Services, Paragraph 49 of the Municipal Supply Chain Management Policy as adopted in terms of section 111 of the Municipal Finance Management Act, 2003 (Act No. 56 of 2003) gives persons aggrieved by decisions or actions taken in the implementation of the Municipal Supply Chain Management System, the right to lodge within 14 days of notification of decision or action, a written objection or complaint against the decision or action.

Any tenderer wishing to exercise this right, must submit their appeal in writing to the Employer marked for the attention of the Manager Supply Chain Management.

The format of the appeal must;
Set out the reason for the appeal;

State in which way the appellant's rights have been affected by the decision;

State the remedy sought, and
Be accompanied by a copy of the notification advising the tenderer of the decision of the Bid Adjudication Committee.

Tenderers are hereby informed also of their right to request reasons for the decision in terms of the Promotion of Administration Justice Act (No. 3 of 2000).

C.3.17 *Add the following*

The number of paper copies of the signed contract to be provided by the Employer is **one (1)**.

Annex C

Standard Conditions of Tender

C.1 General

C.1.1 Actions

C.1.1.1 The employer and each tenderer submitting a tender offer shall comply with these conditions of tender. In their dealings with each other, they shall discharge their duties and obligations as set out in C.2 and C.3, timeously and with integrity, and behave equitably, honestly, and transparently, comply with all legal obligations, and not engage in anticompetitive practices.

C.1.1.2 The employer and the tenderer and all their agents and employees involved in the tender process shall avoid conflicts of interest and where a conflict of interest is perceived or known, declare any such conflict of interest, indicating the nature of such conflict. Tenderers shall declare any potential conflict of interest in their tender submissions. Employees, agents, and advisors of the employer shall declare any conflict of interest to whoever is responsible for overseeing the procurement process at the start of any deliberations relating to the procurement process or as soon as they become aware of such conflict and abstain from any decisions where such conflict exists or recuse themselves from the procurement process, as appropriate.

Note: 1) A conflict of interest may arise due to a conflict of roles which might provide an incentive for improper acts in some circumstances. A conflict of interest can create an appearance of impropriety that can undermine confidence in the ability of that person to act properly in his or her position even if no improper acts result.

2) Conflicts of interest in respect of those engaged in the procurement process include direct, indirect, or family interests in the tender or outcome of the procurement process and any personal bias, inclination, obligation, allegiance, or loyalty which would in any way affect any decisions taken.

C.1.1.3 The employer shall not seek, and a tenderer shall not submit a tender without having a firm intention and the capacity to proceed with the contract.

C.1.2 Tender Documents

The documents issued by the employer for the purpose of a tender offer are listed in the tender data.

C.1.3 Interpretation

C.1.3.1 The tender data and additional requirements contained in the tender schedules that are included in the returnable documents are deemed to be part of these conditions of tender.

C.1.3.2 These conditions of tender, the tender data and tender schedules which are required for tender evaluation purposes, shall form part of any contract arising from the invitation to tender.

C.1.3.3 For the purposes of these conditions of tender, the following definitions apply:

a) conflict of interest means any situation in which:

- i) someone in a position of trust has competing professional or personal interests which make it difficult to fulfil his or her duties impartially.
 - ii) an individual or tenderer can exploit a professional or official capacity in some way for their personal or corporate benefit; or
 - iii) incompatibility or contradictory interests exist between an employee and the tenderer who employs that employee.
- b) comparative offer means the price after the factors of a non-firm price and all unconditional discounts it can be utilised to have been taken into consideration.
- c) corrupt practice means the offering, giving, receiving, or soliciting of anything of value to influence the action of the employer or his staff or agents in the tender process.
- d) fraudulent practice means the misrepresentation of the facts to influence the tender process or the award of a contract arising from a tender offer to the detriment of the employer, including collusive practices intended to establish prices at artificial levels.

C.1.4 Communication and employer's agent

Each communication between the employer and a tenderer shall be to or from the employer's agent only, and in a form that can be readily read, copied, and recorded. Communications shall be in the English language. The employer shall not take any responsibility for non-receipt of communications from or by a tenderer. The name and contact details of the employer's agent are stated in the tender data.

C.1.5 Cancellation and Re-Invitation of Tenders

C.1.5.1 An employer may, prior to the award of the tender, cancel a tender if-

- a) due to changed circumstances, there is no longer a need for the engineering and construction works specified in the invitation.
- b) funds are no longer available to cover the total envisaged expenditure; or
- c) no acceptable tenders are received.
- d) there is a material irregularity in the tender process.

C.1.5.2 The decision to cancel a tender invitation must be published in the same way the original tender invitation was advertised

C.1.5.3 An employer may only with the prior approval of the relevant treasury cancel a tender invitation for the second time.

C.1.6 Procurement procedures

C.1.6.1 General

Unless otherwise stated in the tender data, a contract will, subject to C.3.13, be concluded with the tenderer who in terms of C.3.11 is the highest ranked or the tenderer scoring the highest number of tender evaluation points, as relevant, based on the tender submissions that are received at the closing time for tenders.

C.1.6.2 Competitive negotiation procedure

C.1.6.2.1 Where the tender data require that the competitive negotiation procedure is to be followed, tenderers shall submit tender offers in response to the proposed contract in

the first round of submissions. Notwithstanding the requirements of C.3.4, the employer shall announce only the names of the tenderers who make a submission. The requirements of C.8 relating to the material deviations or qualifications which affect the competitive position of tenderers shall not apply.

- C.1.6.2.2 All responsive tenderers or at least a minimum of not less than three responsive tenderers that are highest ranked in terms of the evaluation criteria stated in the tender data shall be invited to enter competitive negotiations based on the principle of equal treatment, keeping confidential the proposed solutions and associated information.

Notwithstanding the provisions of C.2.17, the employer may request that tenders be clarified, specified, and fine-tuned to improve a tenderer's competitive position provided that such clarification, specification, fine-tuning, or additional information does not alter any fundamental aspects of the offers or impose substantial new requirements which restrict or distort competition or have a discriminatory effect.

- C.1.6.2.3 At the conclusion of each round of negotiations, tenderers shall be invited by the employer to revise their tender offer based on the same evaluation criteria, with or without adjusted weightings. Tenderers shall be advised when they are to submit their best and final offer.
- C.1.6.2.4 The contract shall be awarded in accordance with the provisions of C.3.11 and C.3.13 after tenderers have been requested to submit their best and final offer.

C.1.6.3 Proposal procedure using the two stage-system

C.1.6.3.1 Option 1

Tenderers shall in the first stage submit technical proposals and, if required, cost parameters around which a contract may be negotiated. The employer shall evaluate each responsive submission in terms of the method of evaluation stated in the tender data, and in the second stage negotiate a contract with the

tenderer scoring the highest number of evaluation points and award the contract in terms of these conditions of tender.

C.1.6.3.2 Option 2

- C.1.6.3.2.1 Tenderers shall submit in the first stage only technical proposals. The employer shall invite all responsive tenderers to submit tender offers in the second stage, following the issuing of procurement documents.

- C.1.6.3.2.2 The employer shall evaluate tenders received during the second stage in terms of the method of evaluation stated in the tender data and award the contract in terms of these conditions of tender.

C.2 Tenderer's obligations

C.2.1 Eligibility

- C.2.1.1 Submit a tender offer only if the tenderer satisfies the criteria stated in the tender data and the tenderer, or any of his principals, is not under any restriction to do business with employer.
- C.2.1.2 Notify the employer of any proposed material change in the capabilities or formation of the tendering entity (or both) or any other criteria which formed part of the qualifying

requirements used by the employer as the basis in a prior process to invite the tenderer to submit a tender offer and obtain the employer's written approval to do so prior to the closing time for tenders.

C.2.2 Cost of tendering

C.2.2.1 Accept that, unless otherwise stated in the tender data, the employer will not compensate the tenderer for any costs incurred in the preparation and submission of a tender offer, including the costs of any testing necessary to demonstrate that aspects of the offer comply with requirements.

C.2.2.2 The cost of the tender documents charged by the employer shall be limited to the actual cost incurred by the employer for printing the documents. Employers must attempt to make available the tender documents on its website so as not to incur any costs pertaining to the printing of the tender documents.

C.2.3 Check documents

Check the tender documents on receipt for completeness and notify the employer of any discrepancy or omission.

C.2.4 Confidentiality and copyright of documents

Treat as confidential all matters arising in connection with the tender. Use and copy the documents issued by the employer only for the purpose of preparing and submitting a tender offer in response to the invitation.

C.2.5 Reference documents

Obtain, as necessary for submitting a tender offer, copies of the latest versions of standards, specifications, conditions of contract and other publications, which are not attached but which are incorporated into the tender documents by reference.

C.2.6 Acknowledge addenda

Acknowledge receipt of addenda to the tender documents, which the employer may issue, and if necessary, apply for an extension to the closing time stated in the tender data, to take the addenda into account.

C.2.7 Clarification meeting

Attend, where required, a clarification meeting at which tenderers may familiarize themselves with aspects of the proposed work, services or supply and raise questions. Details of the meeting(s) are stated in the tender data.

C.2.8 Seek clarification

Request clarification of the tender documents, if necessary, by notifying the employer at least five (5) working days before the closing time stated in the tender data.

C.2.9 Insurance

Be aware that the extent of insurance to be provided by the employer (if any) might not be for the full cover required in terms of the conditions of contract identified in the contract data. The tenderer is advised to seek qualified advice regarding insurance.

C.2.10 Pricing the tender offer

- C.2.10.1 Include in the rates, prices, and the tendered total of the prices (if any) all duties, taxes except Value Added Tax (VAT), and other levies payable by the successful tenderer, such duties, taxes, and levies being those applicable fourteen (14) days before the closing time stated in the tender data.
- C.2.10.2 Show VAT payable by the employer separately as an addition to the tendered total of the prices.
- C.2.10.3 Provide rates and prices that are fixed for the duration of the contract and not subject to adjustment except as provided for in the conditions of contract identified in the contract data.
- C.2.10.4 State the rates and prices in Rand unless instructed otherwise in the tender data. The conditions of contract identified in the contract data may provide for part payment in other currencies.

C.2.11 Alterations to documents

Do not make any alterations or additions to the tender documents, except to comply with instructions issued by the employer, or necessary to correct errors made by the tenderer. All signatories to the tender offer shall initial all such alterations.

C.2.12 Alternative tender offers

- C.2.12.1 Unless otherwise stated in the tender data, submit alternative tender offers only if a main tender offer, strictly in accordance with all the requirements of the tender documents, is also submitted as well as a schedule that compares the requirements of the tender documents with the alternative requirements that are proposed.
- C.2.12.2 Accept that an alternative tender offer must be based only on the criteria stated in the tender data or criteria otherwise acceptable to the employer.
- C.2.12.3 An alternative tender offer must only be considered if the main tender offer is the winning tender.

C.2.13 Submitting a tender offer

- C.2.13.1 Submit one tender offer only, either as a single tendering entity or as a member in a joint venture to provide the whole of the works identified in the contract data and described in the scope of works, unless stated otherwise in the tender data.
- C.2.13.2 Return all returnable documents to the employer after completing them in their entirety, either electronically (if they were issued in electronic format) or by writing legibly in non-erasable ink.
- C.2.13.3 Submit the parts of the tender offer communicated on paper as an original plus the number of copies stated in the tender data, with an English translation of any documentation in a language other than English, and the parts communicated electronically in the same format as they were issued by the employer.
- C.2.13.4 Sign the original and all copies of the tender offer where required in terms of the tender data. The employer will hold all authorized signatories liable on behalf of the tenderer. Signatories for tenderers proposing to contract as joint ventures shall state which of the

signatories is the lead partner whom the employer shall hold liable for the purpose of the tender offer.

- C.2.13.5 Seal the original and each copy of the tender offer as separate packages marking the packages as "ORIGINAL" and "COPY". Each package shall state on the outside the employer's address and identification details stated in the tender data, as well as the tenderer's name and contact address.
- C.2.13.6 Where a two-envelope system is required in terms of the tender data, place and seal the returnable documents listed in the tender data in an envelope marked "financial proposal" and place the remaining returnable documents in an envelope marked "technical proposal". Each envelope shall state on the outside the employer's address and identification details stated in the tender data, as well as the tenderer's name and contact address.
- C.2.13.7 Seal the original tender offer and copy packages together in an outer package that states on the outside only the employer's address and identification details as stated in the tender data.
- C.2.13.8 Accept that the employer will not assume any responsibility for the misplacement or premature opening of the tender offer if the outer package is not sealed and marked as stated.
- C.2.13.9 Accept that tender offers submitted by facsimile or e-mail will be rejected by the employer, unless stated otherwise in the tender data.

C.2.14 Information and data to be completed in all respects

Accept that tender offers, which do not provide all the data or information requested completely and, in the form, required, may be regarded by the employer as non-responsive.

C.2.15 Closing time

- C.2.15.1 Ensure that the employer receives the tender offer at the address specified in the tender data not later than the closing time stated in the tender data. Accept that proof of posting shall not be accepted as proof of delivery.
- C.2.15.2 Accept that, if the employer extends the closing time stated in the tender data for any reason, the requirements of these conditions of tender apply equally to the extended deadline.

C.2.16 Tender offer validity

- C.2.16.1 Hold the tender offer(s) valid for acceptance by the employer at any time during the validity period stated in the tender data after the closing time stated in the tender data.
- C.2.16.2 If requested by the employer, consider extending the validity period stated in the tender data for an agreed additional period with or without any conditions attached to such extension.
- C.2.16.3 Accept that a tender submission that has been submitted to the employer may only be withdrawn or substituted by giving the employer's agent written notice before the closing time for tenders that a tender is to be withdrawn or substituted. If the validity period stated in C.2.16 lapses before the employer evaluating tender, the contractor reserves the right to review the price based on Consumer Price Index (CPI).

C.2.16.4 Where a tender submission is to be substituted, a tenderer must submit a substitute tender in accordance with the requirements of C.2.13 with the packages clearly marked as "SUBSTITUTE".

C.2.17 Clarification of tender offer after submission

Provide clarification of a tender offer in response to a request to do so from the employer during the evaluation of tender offers. This may include providing a breakdown of rates or prices and correction of arithmetical errors by the adjustment of certain rates or item prices (or both). No change in the competitive position of tenderers or substance of the tender offer is sought, offered, or permitted.

Note: Sub-clause C.2.17 does not preclude the negotiation of the final terms of the contract with a preferred tenderer following a competitive selection process, should the Employer elect to do so.

C.2.18 Provide other material

C.2.18.1 Provide, on request by the employer, any other material that has a bearing on the tender offer, the tenderer's commercial position (including notarized joint venture agreements), preferencing arrangements, or samples of materials, considered necessary by the employer for the purpose of a full and fair risk assessment.

Should the tenderer not provide the material, or a satisfactory reason as to why it cannot be provided, by the time for submission stated in the employer's request, the employer may regard the tender offer as non-responsive.

C.2.18.2 Dispose of samples of materials provided for evaluation by the employer, where required.

C.2.19 Inspections, tests, and analysis

Provide access during working hours to premises for inspections, tests and analysis as provided for in the tender data.

C.2.20 Submit securities, bonds, and policies

If requested, submit for the employer's acceptance before formation of the contract, all securities, bonds, guarantees, policies, and certificates of insurance required in terms of the conditions of contract identified in the contract data.

C.2.21 Check final draft

Check the final draft of the contract provided by the employer within the time available for the employer to issue the contract.

C.2.22 Return of other tender documents

If so, instructed by the employer, return all retained tender documents within twenty-eight (28) days after the expiry of the validity period stated in the tender data.

C.2.23 Certificates

Include in the tender submission or provide the employer with any certificates as stated in the tender data.

C.3 The employer's undertakings

C.3.1 Respond to requests from the tenderer

C.3.1.1 Unless otherwise stated in the tender Data, respond to a request for clarification received up to five (5) working days before the tender closing time stated in the Tender Data and notify all tenderers who collected tender documents.

C.3.1.2 Consider any request to make a material change in the capabilities or formation of the tendering entity (or both) or any other criteria which formed part of the qualifying requirements used to prequalify a tenderer to submit a tender offer in terms of a previous procurement process and deny any such request if consequently:

- a) an individual firm, or a joint venture, or any individual member of the joint venture fails to meet any of the collective or individual qualifying requirements.
- b) the new partners to a joint venture were not prequalified in the first instance, either as individual firms or as another joint venture; or
- c) in the opinion of the Employer, acceptance of the material change would compromise the outcome of the prequalification process.

C.3.2 Issue Addenda

If necessary, issue addenda that may amend or amplify the tender documents to each tenderer during the period from the date that tender documents are available until three (3) working days before the tender closing time stated in the Tender Data. If, as a result a tenderer applies for an extension to the closing time stated in the Tender Data, the Employer may grant such extension and, shall then notify all tenderers who collected tender documents.

C.3.3 Return late tender offers

Return tender offers received after the closing time stated in the Tender Data, unopened, (unless it is necessary to open a tender submission to obtain a forwarding address), to the tenderer concerned.

C.3.4 Opening of tender submissions

C.3.4.1 Unless the two-envelope system is to be followed, open valid tender submissions in the presence of tenderers' agents who choose to attend at the time and place stated in the tender data. Tender submissions for which acceptable reasons for withdrawal have been submitted will not be opened.

C.3.4.2 Announce at the meeting held immediately after the opening of tender submissions, at a venue indicated in the tender data, the name of each tenderer whose tender offer is opened and, where applicable, the total of his prices, number of points claimed for its BBEE status level and time for completion for the main tender offer only.

C.3.4.3 Make available the record outlined in C.3.4.2 to all interested persons upon request.

C.3.5 Two-envelope system

C.3.5.1 Where stated in the tender data that a two-envelope system is to be followed, open only the technical proposal of valid tenders in the presence of tenderers' agents who choose to attend at the time and place stated in the tender data and announce the name of each tenderer whose technical proposal is opened.

C.3.5.2 Evaluate functionality of the technical proposals offered by tenderers, then advise tenderers who remain in contention for the award of the contract of the time and place when the financial proposals will be opened. Open only the financial proposals of tenderers, who score in the functionality evaluation more than the minimum number of points for functionality stated in the tender data, and announce the score obtained for the technical proposals and the total price and any points claimed on BBEE status level. Return unopened financial proposals to tenderers whose technical proposals failed to achieve the minimum number of points for functionality.

C.3.6 Nondisclosure

Not disclose to tenderers, or to any other person not officially concerned with such processes, information relating to the evaluation and comparison of tender offers, the final evaluation price, and recommendations for the award of a contract, until after the award of the contract to the successful tenderer.

C.3.7 Grounds for rejection and disqualification

Determine whether there has been any effort by a tenderer to influence the processing of tender offers and instantly disqualify a tenderer (and his tender offer) if it is established that he engaged in corrupt or fraudulent practices.

C.3.8 Test for responsiveness

C.3.8.1 Determine, after opening and before detailed evaluation, whether each tender offer properly received:

- a) complies with the requirements of these Conditions of Tender,
- b) has been properly and fully completed and signed, and
- c) is responsive to the other requirements of the tender documents.

C.3.8.2 A responsive tender is one that conforms to all the terms, conditions, and specifications of the tender documents without material deviation or qualification. A material deviation or qualification is one which, in the Employer's opinion, would:

- a) detrimentally affect the scope, quality, or performance of the works, services or supply identified in the Scope of Work,
- b) significantly change the Employer's or the tenderer's risks and responsibilities under the contract, or
- c) affect the competitive position of other tenderers presenting responsive tenders if it were to be rectified.

Reject a non-responsive tender offer, and not allow it to be subsequently made responsive by correction or withdrawal of the non-conforming deviation or reservation.

C.3.9 Arithmetical errors, omissions, and discrepancies

C.3.9.1 Check responsive tenders for discrepancies between amounts in words and amounts in figures. Where there is a discrepancy between the amounts in figures and the amount in words, the amount in words shall govern.

C.3.9.2 Check the highest ranked tender or tenderer with the highest number of tender evaluation points after the evaluation of tender offers in accordance with C.3.11 for:

- a) the gross misplacement of the decimal point in any unit rate.
- b) omissions made in completing the pricing schedule or bills of quantities; or

- c) arithmetic errors in:
 - (i) line-item totals resulting from the product of a unit rate and a quantity in bills of quantities or schedules of prices; or
 - (ii) the summation of the prices.

C.3.9.3 Notify the tenderer of all errors or omissions that are identified in the tender offer and either confirm the tender offer as tendered or accept the corrected total of prices.

C.3.9.4 Where the tenderer elects to confirm the tender offer as tendered, correct the errors as follows:

- a) If bills of quantities or pricing schedules apply and there is an error in the line-item total resulting from the product of the unit rate and the quantity, the line-item total shall govern, and the rate shall be corrected. Where there is an obviously gross misplacement of the decimal point in the unit rate, the line-item total as quoted shall govern, and the unit rate shall be corrected.
- b) Where there is an error in the total of the prices either because of other corrections required by this checking process or in the tenderer's addition of prices, the total of the prices shall govern, and the tenderer will be asked to revise selected item prices (and their rates if bills of quantities apply) to achieve the tendered total of the prices.

C.3.10 Clarification of a tender offer

Obtain clarification from a tenderer on any matter that could give rise to ambiguity in a contract arising from the tender offer.

C.3.11 Evaluation of tender offers

The Standard Conditions of Tender standardize the procurement processes, methods, and procedures from the time that tenders are invited to the time that a contract is awarded. They are generic in nature and are made project specific through choices that are made in developing the Tender Data associated with a specific project.

Conditions of tender are the document that establishes a tenderer's obligations in submitting a tender and the employer's undertakings in soliciting and evaluating tender offers. Such conditions establish the rules from the time a tender is advertised to the time that a contract is awarded and require employers to conduct the process of offer and acceptance in terms of a set of standard procedures.

| The CIDB Standard Conditions of Tender are based on a procurement system that satisfies the following system requirements: | |
|---|---|
| Requirement | Qualitative interpretation of goal |
| Fair | The process of offer and acceptance is conducted impartially without bias, providing simultaneous and timely access to participating parties to the same information. |
| Equitable | Terms and conditions for performing the work do not unfairly prejudice the interests of the parties. |
| Transparent | The only grounds for not awarding a contract to a tenderer who satisfies all requirements are restrictions from doing business with the employer, lack of capability or capacity, legal impediments, and conflicts of interest. |
| Competitive | The system provides for appropriate levels of competition to ensure cost effective and best value outcomes. |

| | |
|----------------|--|
| Cost effective | The processes, procedures and methods are standardized with sufficient flexibility to attain best value outcomes in respect of quality, timing and price, and least resources to effectively manage and control procurement processes. |
|----------------|--|

The activities associated with evaluating tender offers are as follows:

- a) Open and record tender offers received
- b) Determine whether tender offers are complete
- c) Determine whether tender offers are responsive
- d) Evaluate tender offers
- e) Determine if there are any grounds for disqualification
- f) Determine acceptability of preferred tenderer
- g) Prepare a tender evaluation report
- h) Confirm the recommendation contained in the tender evaluation report

C.3.11.1 General

The employer must appoint an evaluation panel of not less than three persons conversant with the proposed scope of works to evaluate each responsive tender offer using the tender evaluation methods and associated evaluation criteria and weightings that are specified in the tender data.

C.3.12 Insurance provided by the employer

If requested by the proposed successful tenderer, submit for the tenderer's information the policies and / or certificates of insurance which the conditions of contract identified in the contract data, require the employer to provide.

C.3.13 Acceptance of tender offer

Accept the tender offer; if in the opinion of the employer, it does not present any risk and only if the tenderer:

- a) is not under restrictions, or has principals who are under restrictions, preventing participating in the employer's procurement;
- b) can, as necessary and in relation to the proposed contract, demonstrate that he or she possesses the professional and technical qualifications, professional and technical competence, financial resources, equipment and other physical facilities, managerial capability, reliability, experience and reputation, expertise, and the personnel, to perform the contract.
- c) has the legal capacity to enter the contract.
- d) is not; insolvent, in receivership, under Business Rescue as provided for in chapter 6 of the Companies Act No. 2008, bankrupt or being wound up, has his/her affairs administered by a court or a judicial officer, has suspended his/her business activities or is subject to legal proceedings in respect of any of the foregoing.
- e) complies with the legal requirements, if any, stated in the tender data; and
- f) is able, in the opinion of the employer, to perform the contract free of conflicts of interest.

C.3.14 Prepare contract documents

C.3.14.1 If necessary, revise documents that shall form part of the contract and that were issued by the employer as part of the tender documents to take account of:

- a) addenda issued during the tender period,

- b) inclusion of some of the returnable documents and
- c) other revisions agreed between the employer and the successful tenderer.

C.3.14.2 Complete the schedule of deviations attached to the form of offer and acceptance, if any.

C.3.15 Complete adjudicator's contract

Unless alternative arrangements have been agreed or otherwise provided for in the contract, arrange for both parties to complete formalities for appointing the selected adjudicator at the same time as the main contract is signed.

C.3.16 Registration of the award

An employer must, within twenty-one (21) working days from the date on which a contractor's offer to perform a construction works contract is accepted in writing by the employer, register and publish the award on the CIDB Register of Projects.

C.3.17 Provide copies of the contracts

Provide to the successful tenderer the number of copies stated in the Tender Data of the signed copy of the contract as soon as possible after completion and signing of the form of offer and acceptance.

C.3.18 Provide written reasons for actions taken

Provide upon request written reasons to tenderers for any action that is taken in applying these conditions of tender but withhold information which is not in the public interest to be divulged, which is considered to prejudice the legitimate commercial interests of tenderers or might prejudice fair competition between tenderers.

PART T2: RETURNABLE DOCUMENTS

T.2.1 List of Returnable Documents

T.2.2 Returnable Schedules

PART T 2.1: LIST OF RETURNABLE DOCUMENTS

The following documents are to be completed and returned as they constitute the tender. Whilst many of the returnables are required for the purpose of evaluating the tenders, some will form part of the subsequent contract, as they form the basis of the tender offer. For this reason, it is very important that tenderers return **all information requested**.

RETURNABLE SCHEDULES REQUIRED FOR TENDER EVALUATION PURPOSES (included hereafter for completion)

OTHER DOCUMENTS REQUIRED FOR TENDER EVALUATION PURPOSES (appendix to schedule in document)

RETURNABLE SCHEDULES THAT WILL BE INCORPORATED INTO THE CONTRACT (to be attached with submission)

OTHER SCHEDULES AND AFFIDAVITS THAT WILL BE INCORPORATED INTO THE CONTRACT (included hereafter for completion)

PART T 2.2: LIST OF RETURNABLE SCHEDULES

The following documents are to be completed and returned as they constitute the tender. Whilst many of the returnables are required for evaluating the tenders, some will form part of the subsequent contract, as they form the basis of the tender offer. For this reason, it is very important that tenderers return all information requested.

| | |
|-------------|--|
| Schedule 1 | Invitation to bid - MBD1 |
| Schedule 2 | Compulsory Enterprise Questionnaire |
| Schedule 3 | Authority to Signatory |
| Schedule 4 | Certificate of Authority for Joint Ventures |
| Schedule 5 | Schedule of Work Satisfactory carried out by the Tenderer |
| Schedule 6 | Schedule of Work Satisfactory carried out by the Foreman / Project Leader |
| Schedule 7 | Proposed Amendments and Qualifications |
| Schedule 8 | Declaration in terms of the MFMA (No 56 of 2003) in terms of Municipal Rates and Services. |
| Schedule 9 | Declaration of Interest |
| Schedule 10 | Tax Clearance Certificate Requirements |
| Schedule 11 | Joint Venture Agreement, If Applicable |
| Schedule 12 | Proof of Payment of Municipal Rates and Taxes |
| Schedule 13 | Record of minutes and Addenda to Tender Documents. |
| Schedule 14 | Preference Points Claim Form in terms of the Preferential Procurement Regulations 2017. |
| Schedule 15 | Declaration of Bidder's past supply chain management practices. |
| Schedule 16 | Certificate of Independent Bid Determination. |
| Schedule 17 | Claiming Preference Points |
| Schedule 18 | Credit Order Instruction |
| Schedule 19 | Local Production and Content |
| Schedule 20 | Letter of Good Standing |
| Schedule 21 | Registration at Bargaining Council |
| C1.1 | Form of Offer and Acceptance |
| C1.2 | Contract Data (Part 2) |
| C2 | PRICING DATA |
| C2.1 | Pricing Instructions |
| C2.2 | Bill of Quantities |

SCHEDULE 1 INVITATION TO BID - MBD1

| YOU ARE HEREBY INVITED TO BID FOR REQUIREMENTS OF THE CAPE WINELANDS DISTRICT MUNICIPALITY | | | | | |
|--|--|---------------|---|--|-------|
| Tender number: | T 2022/039 | Closing date: | 26/08/2022 | Closing time: | 11h00 |
| Description | CONSTRUCTION OF CLUBHOUSES IN THE RURAL AREA OF CWDM. | | | | |
| THE SUCCESSFUL BIDDER WILL BE REQUIRED TO FILL IN AND SIGN A WRITTEN CONTRACT FORM (MBD7). | | | | | |
| BID RESPONSE DOCUMENTS MAY BE DEPOSITED IN THE TENDER BOX SITUATED AT: 29 DU TOIT STREET, STELLENBOSCH | | | | | |
| SUPPLIER INFORMATION | | | | | |
| Name of bidder | | | | | |
| Postal address | | | | | |
| Street address | | | | | |
| Telephone number | Code | | Number | | |
| Cell phone number | | | | | |
| E-mail address | | | | | |
| VAT registration number | | | | | |
| Tax compliance status | TCS PIN: | | OR | CSD No: | MAAA |
| B-BBEE status level verification certificate [tick applicable box] | <input type="checkbox"/> yes <input type="checkbox"/> no | | B-BBEE status level sworn affidavit | <input type="checkbox"/> Yes <input type="checkbox"/> No | |
| [A B-BBEE STATUS LEVEL VERIFICATION CERTIFICATE / SWORN AFFIDAVIT (FOR EMES & QSEs) MUST BE SUBMITTED IN ORDER TO QUALIFY FOR PREFERENCE POINTS FOR B-BBEE] | | | | | |
| Are you the accredited representative in South Africa for the goods / services / works offered? | <input type="checkbox"/> Yes <input type="checkbox"/> No [If yes enclose proof] | | Are you a foreign based supplier for the goods / services / works offered? | <input type="checkbox"/> Yes <input type="checkbox"/> No [If yes, answer part b:3 | |
| Total number of items offered | | | Total bid price | R | |
| Signature of bidder | | | Date | | |
| Capacity under which this bid is signed | | | | | |
| TECHNICAL INFORMATION MAY BE DIRECTED TO: | | | | | |
| Contact person | Christo Swart | | | | |
| Telephone number | 023 348 2300 | | | | |
| E-mail address | christo@capewinelands.gov.za | | | | |
| BIDDING PROCEDURE ENQUIRIES MAY BE DIRECTED | | | | | |
| Contact person | Elmine Niemand | | | | |
| Telephone number | 021 888 5175 | | | | |
| E-mail address | elmine@capewinelands.gov.za | | | | |

| TERMS AND CONDITIONS FOR BIDDING – PART B | |
|--|--|
| 1. BID SUBMISSION: | |
| <p>1.1. Bids must be delivered by the stipulated time to the correct address. Late bids will not be accepted for consideration.</p> <p>1.2. All bids must be submitted on the official forms provided–(not to be re-typed) or online</p> <p>1.3. This bid is subject to the Preferential Procurement Policy Framework Act and the Preferential Procurement Regulations, 2017, the General Conditions of Contract (GCC) and, if applicable, any other special conditions of contract.</p> | |
| 2. TAX COMPLIANCE REQUIREMENTS | |
| <p>2.1 Bidders must ensure compliance with their tax obligations.</p> <p>2.2 Bidders are required to submit their unique personal identification number (pin) issued by SARS to enable the organ of state to view the taxpayer’s profile and tax status.</p> <p>2.3 Application for the tax compliance status (TCS) certificate or pin may also be made via e-filing. In order to use this provision, taxpayers will need to register with SARS as e-filers through the website www.sars.gov.za.</p> <p>2.4 Foreign suppliers must complete the pre-award questionnaire in part b:3.</p> <p>2.5 Bidders may also submit a printed TCS certificate together with the bid.</p> <p>2.6 In bids where consortia / joint ventures / sub-contractors are involved, each party must submit a separate TCS certificate / pin / CSD number.</p> <p>2.7 Where no TCS is available but the bidder is registered on the central supplier database (CSD), a CSD number must be provided.</p> | |
| 3. QUESTIONNAIRE TO BIDDING FOREIGN SUPPLIERS | |
| <p>3.1. Is the entity a resident of the republic of South Africa (RSA)? <input type="checkbox"/> Yes <input type="checkbox"/> No</p> <p>3.2. Does the entity have a branch in the RSA? <input type="checkbox"/> Yes <input type="checkbox"/> No</p> <p>3.3. Does the entity have a permanent establishment in the RSA? <input type="checkbox"/> Yes <input type="checkbox"/> No</p> <p>3.4. Does the entity have any source of income in the RSA? <input type="checkbox"/> Yes <input type="checkbox"/> No</p> <p>3.5. Is the entity liable in the RSA for any form of taxation? <input type="checkbox"/> Yes <input type="checkbox"/> No</p> <p>If the answer is “no” to all of the above, then it is not a requirement to register for a tax compliance status system pin code from the South African Revenue Service (SARS) and if not register as per 2.3 above.</p> | |
| <p>NB: failure to provide any of the above particulars may render the bid invalid. No bids will be considered from persons in the service of the state.</p> | |

Signature(s):

Name(s):

Capacity for the Tenderer:

Date:

SCHEDULE 2: COMPULSORY ENTERPRISE QUESTIONNAIRE

| | | |
|--|--|---|
| The following particulars must be furnished. In the case of a joint venture, separate enterprise questionnaires in respect of each partner must be completed and submitted. (Failure to do so may result in your bid being disqualified) | | |
| Section 1: | Name of enterprise: | |
| Section 2: | VAT registration number, if any: | |
| | Has and original and valid TAX clearance certificate been attached under Schedule 2D? | Yes / No |
| Section 3: | Has a B-BBEE status level verification certificate been submitted? Yes / No | |
| | If Yes, who was the certificate issued by? (Tick applicable box) | |
| | <input type="checkbox"/> An accounting officer as contemplated in the Close Corporation Act. <input type="checkbox"/> A verification agency accredited by the South African National Accreditation System (SANAS). <input type="checkbox"/> A registered auditor. | |
| | NB. A B-BBEE status level verification certificate must be submitted in order to qualify for preference points for B-BBEE. | |
| Section 4: | CIDB registration number, if any: | |
| Section 5: | Particulars of sole proprietors and partners in partnership | |
| | Name* | Identity number* |
| | | Personal income tax number* |
| | | |
| | | |
| | | |
| | * Complete only if sole proprietor or partnership and attached separate page if more than 3 partners | |
| Section 6: | Particulars of companies and close corporations | |
| | Company registration number: | |
| | Close corporation number: | |
| | Tax reference number: | |
| Section 7: | Record of service of the state | |
| | Indicate by marking the relevant boxes with a cross, if any sole proprietor, partner in a partnership or director, manager, principal shareholder or stakeholder in a company or close corporation is currently or has been within the last 12 months in the service of any of the following: | |
| | <input type="checkbox"/> a member of any municipal council <input type="checkbox"/> a member of any provincial legislature <input type="checkbox"/> a member of the National Assembly or the National Council of Province <input type="checkbox"/> a member of the board of directors of any municipal entity <input type="checkbox"/> an official of any municipality or municipal entity | <input type="checkbox"/> an employee of any provincial department, national or provincial public entity or constitutional institution within the meaning of the Public Finance Management Act, 1999 (Act 1 of 1999) <input type="checkbox"/> a member of an accounting authority of any national or provincial public entity <input type="checkbox"/> an employee of Parliament or a provincial legislature |
| | If any of the above boxes are marked, disclose the following: (insert separate page if necessary) | |

T.2.2.5 Returnable Schedules

| Name of sole proprietor, partner, director, manager, principal shareholder or stakeholder | Name of institution, public office, board or organ of state and position held | Status of service (tick appropriate column) | |
|---|---|---|-----------------------|
| | | current | Within last 12 months |
| | | | |
| | | | |
| | | | |
| | | | |

Section 8: Record of spouses, children and partners in the service of the state

Indicate by marking the relevant boxes with a cross, if any spouse, child or partner of a sole proprietor, partner in a partnership or director, manager, principal shareholder or stakeholder in a company or close corporation is currently or has been within the last 12 months in the service of any of the following:

- | | |
|--|---|
| <input type="checkbox"/> a member of any municipal council <input type="checkbox"/> a member of any provincial legislature <input type="checkbox"/> a member of the National Assembly or the National Council of Province <input type="checkbox"/> a member of the board of directors of any municipal entity <input type="checkbox"/> an official of any municipality or municipal entity | <input type="checkbox"/> an employee of any provincial department, national or provincial public entity or constitutional institution within the meaning of the Public Finance Management Act, 1999 (Act 1 of 1999) <input type="checkbox"/> a member of an accounting authority of any national or provincial public entity <input type="checkbox"/> an employee of Parliament or a provincial legislature |
|--|---|

If any of the above boxes are marked, disclose the following:

| Name of sole proprietor, partner, director, manager, principal shareholder or stakeholder | Name of institution, public office, board or organ of state and position held | Status of service (tick appropriate column) | |
|---|---|---|-----------------------|
| | | current | Within last 12 months |
| | | | |
| | | | |

* Insert separate page if necessary

The undersigned, who warrants that he/ she is duly authorised to do so on behalf of the enterprise:

- | | |
|------|---|
| i) | Authorized the Employer to obtain a tax clearance certificate from the South Africa Revenue Service that my / our matters are in order; |
| ii) | Confirms that the neither the name of the enterprise or the name of any partner, manager, director or other person, who wholly or partly exercises, or may exercise, control over the enterprise appears on the Register of Tender Defaulters established in terms of the Prevention and Combating of Corrupt Activities Act of 2004; |
| iii) | Confirms that no partner, member, director or other person, who wholly or partly exercises, or may exercise, control over the enterprise appears, has within the last five years been convicted of fraud or corruption; |
| iv) | Confirms that I / we are not associated, linked or involved with any other tendering entities submitting tender offers and have no other relationship with any of the tenderers or those responsible for compiling the scope of work that could cause or be interpreted as a conflict of interest; |
| v) | Confirms that the contents of this questionnaire are within my personal knowledge and are to the best of my belief both true and correct. |

| | | | |
|-------------|--|-----------|-------------------------|
| Signature: | | Date: | / / 20..... |
| Print Name: | | Position: | |

SCHEDULE 3: AUTHORITY FOR SIGNATORY

We, the undersigned, hereby authorize Mr/Mrs
 acting in his/her capacity as
 of the business trading as to
 sign all documentation in connection with Tender.....

| Name of members / directors | Signature | Date |
|-----------------------------|-----------|------|
| | | |
| | | |
| | | |
| | | |
| | | |
| | | |
| | | |

Note: If bidders attached a copy of their Authorized Signatory it is not necessary to complete this form.

C. Certificate for Joint Venture

We, the undersigned, are submitting this tender offer in Joint Venture and hereby authorized Mr/Ms, authorized signatory of the company, acting in the capacity of lead partner, to sign all documents in connection with the tender offer for Contract and any contract resulting from it on our behalf. This authorization is evidenced by the attached power of attorney signed by legally authorized signatories of all the partners to the Joint Venture.

| NAME OF FIRM | ADDRESS | AUTHORISING SIGNATURE, NAME & CAPACITY |
|--------------|---------|--|
| Lead partner | | |
| | | |
| | | |
| | | |

D. Certificate for Sole Proprietor

I, hereby confirm that I am the sole owner of the business trading as

As witnesses:

| | | | |
|----|--|-----------|--|
| 1. | | Chairman: | |
| 2. | | Date: | |

E. Certificate for Close Corporation

We, the undersigned, being the key members in the business trading as hereby authorize Mr/Ms acting in the capacity of to sign all documents in connection with the tender for Contract and contract resulting from it on our behalf.

| NAME | ADDRESS | SIGNATURE | DATE |
|------|---------|-----------|------|
| | | | |
| | | | |
| | | | |

NOTE: This certificate is to be completed and signed by all of the key partners upon whom rests the direction of the affairs of the Partnership as a whole.

SCHEDULE 4: CERTIFICATE OF AUTHORITY FOR JOINT VENTURES

This returnable schedule is to be completed by joint ventures.

We, the undersigned, are submitting this tender offer in joint venture and hereby authorize Mr/Ms, authorised signatory of the company, close corporation or partnership, acting in the capacity of lead partner, to sign all documents in connection with the tender offer and any contract resulting from it on our behalf.

| NAME OF FIRM | ADDRESS | DULY AUTHORISED SIGNATORY |
|--------------|---------|---|
| Lead partner | | Signature: Name: Designation: |
| | | Signature: Name: Designation: |
| | | Signature: Name: Designation: |

NOTE : A copy of the Joint Venture Agreement showing clearly the **percentage contribution of each partner** to the Joint Venture shall be appended to this schedule.

SCHEDULE 5: SCHEDULE OF WORK SATISFACTORILY CARRIED OUT BY THE TENDERER

The following is a statement of similar work successfully executed by the Tenderer. **Relevant reference letters on company letter heads should be attached to this, no points will be scored if the reference letters are not provided. This will be verified during evaluation :**

| Employer, contact person and telephone number | Description of Contract | Value of Work Inclusive of VAT (Rand) | Date Completed |
|---|-------------------------|---------------------------------------|----------------|
| | | | |

Attach additional pages if more space is required.

| | | | |
|-------------|--|-----------|--|
| Signature: | | Date: | |
| Print Name: | | Position: | |
| Tenderer: | | | |

SCHEDULE 6: SCHEDULE OF WORK SATISFACTORILY CARRIED OUT BY THE FOREMAN / PROJECT LEADER

The following is a statement of similar work successfully executed by the foreman / project leader.

| Employer, contact person and telephone number | Description of Contract | Value of Work Inclusive of VAT (Rand) | Date Completed |
|---|-------------------------|---------------------------------------|----------------|
| | | | |

Attach additional pages if more space is required.

| | | | |
|-------------|--|-----------|--|
| Signature: | | Date: | |
| Print Name: | | Position: | |
| Tenderer: | | | |

SCHEDULE 7: PROPOSED AMENDMENTS AND QUALIFICATIONS

The Tenderer should record any deviations or qualifications he may wish to make to the tender documents in this Returnable Schedule. Alternatively, a tenderer may state such deviations and qualifications in a covering letter to this tender and reference such letter in this schedule.

The Tenderer's attention is drawn to clause F.3.8 of the Standard Conditions of Tender referenced in the Tender Data regarding the Employer's handling of material deviations and qualifications.

| Page | Clause or Item | Proposal |
|------|----------------|----------|
| | | |

| | | | |
|-------------|--|-----------|--|
| Signature: | | Date: | |
| Print Name: | | Position: | |
| Tenderer: | | | |

SCHEDULE 8: DECLARATION IN TERMS OF THE MFMA (NO. 56 OF 2003) IN TERMS OF MUNICIPAL RATES AND SERVICES

| Names of Directors / Partners | Physical residential address of the Directors / Partners | Municipal Account Number | Name of Municipality |
|-------------------------------|--|--------------------------|----------------------|
| | | | |
| | | | |
| | | | |
| | | | |
| | | | |
| | | | |
| | | | |
| | | | |
| | | | |
| | | | |

NB: Please attach certified copy/copies of the Municipal Account(s)

DECLARATION:

I, the undersigned (name)

Certify that the information furnished above is correct. I accept that the state may act against me should this declaration prove to be false.

.....
Signature

.....
Date

.....
Position

.....
Name of Bidder

SCHEDULE 9: DECLARATION OF INTEREST

(On behalf of the company and its directors/ members/ trustees/ principle shareholders²)

1. No bid/database registration will be accepted from persons in the service of the state¹.
2. Any person, having a kinship with persons in the service of the state, including a blood relationship, may make an offer or offers in terms of this invitation to bid/database registration. In view of possible allegations of favouritism, should the resulting bid, or part thereof, be awarded to persons connected with or related to persons in the service of the state, it is required that the bidder or their authorised representative declare their position in relation to the evaluating/adjudicating authority.
- 3 **In order to give effect to the above, the following questionnaire must be completed and submitted with the bid/database registration in respect of owners/shareholders² of the company.**

| | | | |
|-----------------|--|------------|----------------------|
| 3.1 | Full Name of bidder or his or her representative | | |
| 3.2 | Identity Number (person submitting this declaration) | | |
| 3.3 | Position occupied in the Company (official/director/trustee/shareholder ²): | | |
| 3.4 | Company Registration Number | | |
| 3.5 | Tax Reference Number | | |
| 3.6 | VAT Registration Number | | |
| 3.7 | The names of all directors/ members/ trustees/ principle shareholders, their individual identity numbers, personal tax reference numbers and state employee numbers must be indicated in paragraph 4 below | | |
| 3.8 | Are you or any director/ member/ trustee/ principle shareholder presently in the service of the state? | Yes | No |
| 3.8.1 | If yes, furnish particulars. (Please write in Block Letters. Add separate page if more than one. | | |
| SA ID Number: | <input type="text"/> | Relation: | <input type="text"/> |
| Surname: | <input type="text"/> | Persal No: | <input type="text"/> |
| Full Names: | <input type="text"/> | | |
| Organ of State: | <input type="text"/> | Position: | <input type="text"/> |
| 3.9 | Have you or any director/ member/ trustee/ principle shareholder been in the service of the state for the past twelve months? | Yes | No |
| 3.9.1 | If yes, furnish particulars. (Please write in Block Letters. Add separate page if more than one. | | |
| SA ID Number: | <input type="text"/> | Relation: | <input type="text"/> |
| Surname: | <input type="text"/> | Persal No: | <input type="text"/> |
| Full Names: | <input type="text"/> | | |
| Organ of State: | <input type="text"/> | Position: | <input type="text"/> |

T.2.2.14 Returnable Schedules

| | | | |
|------|--|-----|----|
| 3.10 | Do you or any director/ member/ trustee/ principle shareholder have any relationship (family, friend, other) with persons in the service of the state and/or who may be involved with the evaluation and/or adjudication of this or any other prospective bid? | Yes | No |
|------|--|-----|----|

3.10.1 If yes, furnish particulars. (Please write in Block Letters. Add separate page if more than one.)

| | | | |
|-----------------|--|------------|--|
| SA ID Number: | | Relation: | |
| Surname: | | Persal No: | |
| Full Names: | | | |
| Organ of State: | | Position: | |

| | | | |
|------|---|-----|----|
| 3.11 | Are you aware of any relationship (family, friend, other) between you or any director/ member/ trustee/ principle shareholder and any persons in the service of the state who may be involved with the evaluation and/or adjudication of this or any other prospective bid? | Yes | No |
|------|---|-----|----|

3.11.1 If yes, furnish particulars. (Please write in Block Letters. Add separate page if more than one.)

| | | | |
|-----------------|--|------------|--|
| SA ID Number: | | Relation: | |
| Surname: | | Persal No: | |
| Full Names: | | | |
| Organ of State: | | Position: | |

| | | | |
|------|---|-----|----|
| 3.12 | Is any spouse, child or parent of the company's directors/ members/ trustees/ principle shareholders or stakeholders in the service of the state? | Yes | No |
|------|---|-----|----|

3.12.1 If yes, furnish particulars. (Please write in Block Letters. Add separate page if more than one.)

| | | | |
|-----------------|--|------------|--|
| SA ID Number: | | Relation: | |
| Surname: | | Persal No: | |
| Full Names: | | | |
| Organ of State: | | Position: | |

| | | | |
|------|--|-----|----|
| 3.13 | Do you or any director/ member/ trustee/ principle shareholder/ stakeholders of this company have any interest in any other related companies or business whether or not they are bidding for this contract. | Yes | No |
|------|--|-----|----|

3.13.1 If yes, furnish particulars.

| | | | |
|------|--|-----|----|
| 3.14 | Is the supplier or any director/ member/ trustee/ principle shareholder listed on the National Treasury's database as a company or person prohibited from doing business with the public sector? | Yes | No |
|------|--|-----|----|

3.14.1 If yes, furnish particulars.

T.2.2.15 Returnable Schedules

| | | | |
|--------|--|-----|----|
| 3.15 | Is the supplier or any director/ member/ trustee/ principle shareholder listed on the Register for Tender Defaulters in terms of section 29 of the Prevention and Combating of Corrupt Activities Act (No 12 of 2004)? | Yes | No |
| 3.15.1 | If yes, furnish particulars. | | |

| | | | |
|--------|--|-----|----|
| 3.16 | Was the supplier or any director/ member/ trustee/ principle shareholder convicted by a court of law (including a court of law outside the Republic of South Africa) for fraud or corruption during the past five years? | Yes | No |
| 3.16.1 | If yes, furnish particulars. | | |

| | | | |
|--------|--|-----|----|
| 3.17 | Does the supplier or any director/ member/ trustee/ principle shareholder owe any municipal rates and taxes or municipal charges to the municipality / municipal entity, or to any other municipality / municipal entity, that is in arrears for more than three months? | Yes | No |
| 3.17.1 | If yes, furnish particulars. The municipality may not do business with individuals/businesses, including that of all the owners/partners/members/directors, whose municipal rates and taxes and/or service charges are in arrears for more than three (3) months unless arrangements have been made with the municipality to settle such arrears. Refer to SCM Regulation 38(d). (Certified copies of your <i>most current</i> accounts/statements and/or proof of any arrangement to be submitted every three months – provide individual information in the schedule under par. 4. | | |

| | | | |
|--------|--|-----|----|
| 3.18 | Was any contract between the supplier and the municipality / municipal entity or any other organ of state terminated during the past five years on account of failure to perform on or comply with the contract? | Yes | No |
| 3.18.1 | If yes, furnish particulars. | | |

| 4 | <p>MFMA Circular No 62 of July 2013 require bidders to submit the names of their directors/ trustees/ shareholders, their individual identity numbers, personal tax reference numbers and employee numbers of those who are in the service of the state as defined in the Municipal Supply Chain Management Regulations as part of their bid submissions. <i>A shareholder is defined as a person who owns shares in the company and is actively involved in the management of the company or business, and exercises control over the company.</i></p> | | | | | |
|----|---|-----------------|----------------------------|-------------------------------|--------------------------------|---|
| | Full name of directors / trustees / shareholders | Identity Number | % Share-holding in company | Personal Tax Reference Number | State Employee Number (Persal) | <p>Municipal rates & services account numbers (3.17.1) <i>Municipal clearance or most recent service account must be attached as evidence</i></p> |
| 1 | | | | | | |
| 2 | | | | | | |
| 3 | | | | | | |
| 4 | | | | | | |
| 5 | | | | | | |
| 6 | | | | | | |
| 7 | | | | | | |
| 8 | | | | | | |
| 9 | | | | | | |
| 10 | | | | | | |

I, the undersigned, certify that the information furnished on this declaration form is true and correct. I accept that my/my company's bid/registration may be rejected and in addition to the rejection that action may be taken against me/ my company should this declaration prove to be false.

.....
Signature

.....
Date

.....
Capacity of Signatory

.....
Name of Bidder/Company/CC Name

MANDATORY SECTION: THIS DECLARATION WILL NOT BE ACCEPTED IF NOT CERTIFIED:

- ¹ MSCM Regulations: "in the service of the state" means to be –
- (a) a member of –
 - (i) any municipal council;
 - (ii) any provincial legislature; or
 - (iii) the national Assembly or the national Council of provinces;
 - (b) a member of the board of directors of any municipal entity;
 - (c) an official of any municipality or municipal entity;
 - (d) an employee of any national or provincial department, national or provincial public entity or constitutional institution within the meaning of the Public Finance Management Act, 1999 (Act No.1 of 1999);
 - (e) a member of the accounting authority of any national or provincial public entity; or
 - (f) an employee of Parliament or a provincial legislature.
- ² "Shareholder" means a person who owns shares in the company and is actively involved in the management of the company or business and exercises control over the company.

| |
|--|
| <p>Commissioner of Oaths</p> <p>Signed and sworn to before me at</p> <p>on this the day of 20 by the Deponent, who has acknowledged that he/she knows and understands the contents of this Affidavit, it is true and correct to the best of his/her knowledge and that he/she has no objection to taking the prescribed oath, and that the prescribed oath will be binding on his/her conscience.</p> <p>Commissioner of Oaths</p> <p>Position:</p> <p>Address</p> <p>.....</p> <p>.....</p> <p>Tel:</p> <p style="text-align: center;">Apply official stamp of authority on this page:</p> |
|--|

This document is compulsory, in terms of Regulation 44 of the Supply Chain Management Regulations, to do business with any municipality – If not endorsed by a Commissioner of Oaths, or failure to submit it, will disqualify your business from the acquisitioning process. (Must be submitted annually)

SCHEDULE 10: TAX CLEARANCE CERTIFICATE REQUIREMENTS

A copy of a Tax Compliance Status Pin, printed from the South African Revenue Service (SARS) website, must accompany the bid documents. The onus is on the bidder to ensure that their tax matters are in order with SARS. In the case of a Consortium/Joint Venture every member must submit a separate Tax Compliance Status Pin, printed from the SARS website, with the bid documents.

If a bid is not supported by a Tax Compliance Status Pin as an attachment to the bid documents, the Municipality reserves the right to obtain such documents after the closing date to verify that the bidder's tax matters are in order. If no such document can be obtained within a period as specified by the Municipality, the bid will be disqualified.

The Tax Compliance Status Pin will be verified by the Municipality on the SARS website.

SCHEDULE 11: JOINT VENTURE AGREEMENT, IF APPLICABLE

The Tenderer shall attach to this page a joint venture agreement, if applicable.

SCHEDULE 12: PROOF OF PAYMENT OF MUNICIPAL RATES AND TAXES

The Tenderer shall attach to this page proof of payment of municipal rates and taxes or municipal services charges in support of Schedule 11.

Please note: Should the tenderer intend claiming preference points for local enterprise status, points shall only be awarded if proof of payment is attached.

SCHEDULE 13: RECORD OF MINUTES AND ADDENDA TO TENDER DOCUMENTS

| We confirm that the following communications received from the Employer before the submission of this tender offer, amending the tender documents, have been taken into account in this tender offer: | | |
|---|------|-----------------|
| No. | Date | Title or Detail |
| 1. | | |
| 2. | | |
| 3. | | |
| 4. | | |
| 5. | | |
| 6. | | |
| 7. | | |
| 8. | | |
| 9. | | |
| 10. | | |

Attach additional pages if more space is required.

| | | | |
|-------------|--|-----------|--|
| Signature: | | Date: | |
| Print Name: | | Position: | |
| Tenderer: | | | |

SCHEDULE 14: PREFERENCE POINTS CLAIM FORM IN TERMS OF THE PREFERENTIAL PROCUREMENT REGULATIONS 2017 (MBD 6.1)

This document serves as a claim form to qualify for preference points in respect of Broad-Based Black Economic Empowerment (B-BBEE) Status Level of Contribution and must accompany the applicable certificate.

NB: BEFORE COMPLETING THIS FORM, BIDDERS MUST STUDY THE GENERAL CONDITIONS, DEFINITIONS AND DIRECTIVES APPLICABLE IN RESPECT OF B-BBEE, AS PRESCRIBED IN THE PREFERENTIAL PROCUREMENT REGULATIONS, 2017.

1. GENERAL CONDITIONS

1.1 The following preference point systems are applicable to all bids:

- the 80/20 system for requirements with a Rand value of up to R50 000 000 (all applicable taxes included); and
- the 90/10 system for requirements with a Rand value above R50 000 000 (all applicable taxes included).

1.2 a) The value of this bid is estimated to not exceed R50 000 000 (all applicable taxes included) and therefore the **80/20** preference point system shall be applicable; or

b) Either the 80/20 or 90/10 preference point system will be applicable to this tender (*delete whichever is not applicable for this tender*).

1.2 Points for this bid shall be awarded for:

- (a) Price; and
- (b) B-BBEE Status Level of Contributor.

1.3 The maximum points for this bid are allocated as follows:

| | POINTS |
|--|---------------|
| PRICE | 80 |
| B-BBEE STATUS LEVEL OF CONTRIBUTOR | 20 |
| Total points for Price and B-BBEE must not exceed | 100 |

1.4 Failure on the part of a bidder to submit proof of B-BBEE Status level of contributor together with the bid, will be interpreted to mean that preference points for B-BBEE status level of contribution are not claimed.

1.5 The purchaser reserves the right to require of a bidder, either before a bid is adjudicated or at any time subsequently, to substantiate any claim in regard to preferences, in any manner required by the purchaser.

2. DEFINITIONS

- (a) **“B-BBEE”** means broad-based black economic empowerment as defined in section 1 of the Broad-Based Black Economic Empowerment Act;
- (b) **“B-BBEE status level of contributor”** means the B-BBEE status of an entity in terms of a code of good practice on black economic empowerment, issued in terms of section 9(1) of the Broad-Based Black Economic Empowerment Act;
- (c) **“bid”** means a written offer in a prescribed or stipulated form in response to an invitation by an organ of state for the provision of goods or services, through price quotations, advertised competitive bidding processes or proposals;
- (d) **“Broad-Based Black Economic Empowerment Act”** means the Broad-Based Black Economic Empowerment Act, 2003 (Act No. 53 of 2003);

5. POINTS AWARDED FOR B-BBEE STATUS LEVEL OF CONTRIBUTOR

5.1 In terms of Regulation 6 (2) and 7 (2) of the Preferential Procurement Regulations, preference points must be awarded to a bidder for attaining the B-BBEE status level of contribution in accordance with the table below:

| B-BBEE Status Level of Contributor | Number of points (90/10 system) | Number of points (80/20 system) |
|------------------------------------|---------------------------------|---------------------------------|
| 1 | 10 | 20 |
| 2 | 9 | 18 |
| 3 | 6 | 14 |
| 4 | 5 | 12 |
| 5 | 4 | 8 |
| 6 | 3 | 6 |
| 7 | 2 | 4 |
| 8 | 1 | 2 |
| Non-compliant contributor | 0 | 0 |

6. BID DECLARATION

6.1 Bidders who claim points in respect of B-BBEE Status Level of Contribution must complete the following:

7. B-BBEE STATUS LEVEL OF CONTRIBUTOR CLAIMED IN TERMS OF PARAGRAPHS 1.4 AND 4.1

7.1 B-BBEE Status Level of Contributor: . =(maximum of 10 or 20 points)
 (Points claimed in respect of paragraph 7.1 must be in accordance with the table reflected in paragraph 4.1 and must be substantiated by relevant proof of B-BBEE status level of contributor.)

8. SUB-CONTRACTING

8.1 Will any portion of the contract be sub-contracted?

(Tick applicable box)

| | | | |
|-----|--------------------------|----|--------------------------|
| YES | <input type="checkbox"/> | NO | <input type="checkbox"/> |
|-----|--------------------------|----|--------------------------|

8.1.1 If yes, indicate:

- i) What percentage of the contract will be subcontracted.....%
- ii) The name of the sub-contractor.....
- iii) The B-BBEE status level of the sub-contractor.....
- iv) Whether the sub-contractor is an EME or QSE

(Tick applicable box)

| | | | |
|-----|--------------------------|----|--------------------------|
| YES | <input type="checkbox"/> | NO | <input type="checkbox"/> |
|-----|--------------------------|----|--------------------------|

v) Specify, by ticking the appropriate box, if subcontracting with an enterprise in terms of Preferential Procurement Regulations,2017:

| Designated Group: An EME or QSE which is at last 51% owned by: | EME √ | QSE √ |
|--|--------------------------|--------------------------|
| Black people | <input type="checkbox"/> | <input type="checkbox"/> |
| Black people who are youth | <input type="checkbox"/> | <input type="checkbox"/> |
| Black people who are women | <input type="checkbox"/> | <input type="checkbox"/> |

| | | |
|---|--|--|
| Black people with disabilities | | |
| Black people living in rural or underdeveloped areas or townships | | |
| Cooperative owned by black people | | |
| Black people who are military veterans | | |
| OR | | |
| Any EME | | |
| Any QSE | | |

9. **DECLARATION WITH REGARD TO COMPANY/FIRM**

9.1 Name of company/firm:.....

9.2 VAT registration number:.....

9.3 Company registration number:.....

9.4 **TYPE OF COMPANY/ FIRM**

- Partnership/Joint Venture / Consortium
 - One person business/sole propriety
 - Close corporation
 - Company
 - (Pty) Limited
- [TICK APPLICABLE BOX]

9.5 **DESCRIBE PRINCIPAL BUSINESS ACTIVITIES**

.....

9.6 **COMPANY CLASSIFICATION**

- Manufacturer
 - Supplier
 - Professional service provider
 - Other service providers, e.g. transporter, etc.
- [TICK APPLICABLE BOX]

9.7 **MUNICIPAL INFORMATION**

Municipality where business is situated:

Registered Account Number:

Stand Number:.....

9.8 Total number of years the company/firm has been in business:.....

9.9 I/we, the undersigned, who is / are duly authorised to do so on behalf of the company/firm, certify that the points claimed, based on the B-BBE status level of contributor indicated in paragraphs 1.4 and 6.1 of the foregoing certificate, qualifies the company/ firm for the preference(s) shown and I / we acknowledge that:

- i) The information furnished is true and correct;
- ii) The preference points claimed are in accordance with the General Conditions as indicated in paragraph 1 of this form;
- iii) In the event of a contract being awarded as a result of points claimed as shown in paragraphs 1.4 and 6.1, the contractor may be required to furnish documentary proof to the satisfaction of the purchaser that the claims are correct;
- iv) If the B-BBEE status level of contributor has been claimed or obtained on a fraudulent basis or any of the conditions of contract have not been fulfilled, the purchaser may, in addition to

T.2.2.26 Returnable Schedules

- v) any other remedy it may have –
 - (a) disqualify the person from the bidding process;
 - (b) recover costs, losses or damages it has incurred or suffered as a result of that person's conduct;
 - (c) cancel the contract and claim any damages which it has suffered as a result of having to make less favourable arrangements due to such cancellation;
 - (d) recommend that the bidder or contractor, its shareholders and directors, or only the shareholders and directors who acted on a fraudulent basis, be restricted by the National Treasury from obtaining business from any organ of state for a period not exceeding 10 years, after the *audi alteram partem* (hear the other side) rule has been applied; and
 - (e) forward the matter for criminal prosecution.

| |
|--|
| <p>WITNESSES</p> <p>1.</p> <p>2.</p> |
|--|

| |
|--|
| <p>.....</p> <p>SIGNATURE(S) OF BIDDERS(S)</p> <p>DATE:</p> <p>ADDRESS</p> <p>.....</p> <p>.....</p> |
|--|

SCHEDULE 15: DECLARATION OF BIDDER'S PAST SUPPLY CHAIN MANAGEMENT PRACTICES

- 1 This Municipal Bidding Document must form part of all bids invited.
- 2 It serves as a declaration to be used by municipalities and municipal entities in ensuring that when goods and services are being procured, all reasonable steps are taken to combat the abuse of the supply chain management system.
- 3 The bid of any bidder may be rejected if that bidder, or any of its directors have:
 - a. abused the municipality's / municipal entity's supply chain management system or committed any improper conduct in relation to such system;
 - b. been convicted for fraud or corruption during the past five years;
 - c. willfully neglected, reneged on or failed to comply with any government, municipal or other public sector contract during the past five years; or
 - d. been listed in the Register for Tender Defaulters in terms of section 29 of the Prevention and Combating of Corrupt Activities Act (No 12 of 2004).
- 4 **In order to give effect to the above, the following questionnaire must be completed and submitted with the bid.**

| Item | Question | Yes | No |
|-------|--|---------------------------------|--------------------------------|
| 4.1 | <p>Is the bidder or any of its directors listed on the National Treasury's Database of Restricted Suppliers as companies or persons prohibited from doing business with the public sector?</p> <p>(Companies or persons who are listed on this Database were informed in writing of this restriction by the Accounting Officer/Authority of the institution that imposed the restriction after the <i>audi alteram partem</i> rule was applied).</p> <p>The Database of Restricted Suppliers now resides on the National Treasury's website(www.treasury.gov.za) and can be accessed by clicking on its link at the bottom of the home page.</p> | Yes <input type="checkbox"/> | No <input type="checkbox"/> |
| 4.1.1 | If so, furnish particulars: | | |
| 4.2 | <p>Is the bidder or any of its directors listed on the Register for Tender Defaulters in terms of section 29 of the Prevention and Combating of Corrupt Activities Act (No 12 of 2004)?</p> <p>The Register for Tender Defaulters can be accessed on the National Treasury's website (www.treasury.gov.za) by clicking on its link at the bottom of the home page.</p> | Yes <input type="checkbox"/> | No <input type="checkbox"/> |
| 4.2.1 | If so, furnish particulars: | | |
| 4.3 | <p>Was the bidder or any of its directors convicted by a court of law (including a court of law outside the Republic of South Africa) for fraud or corruption during the past five years?</p> | Yes <input type="checkbox"/> | No <input type="checkbox"/> |
| 4.3.1 | If so, furnish particulars: | | |

T.2.2.28 Returnable Schedules

| | | | |
|-------|--|---------------------------------|--------------------------------|
| 4.4 | Does the bidder or any of its directors owe any municipal rates and taxes or municipal charges to the municipality / municipal entity, or to any other municipality / municipal entity, that is in arrears for more than three months? | Yes <input type="checkbox"/> | No <input type="checkbox"/> |
| 4.4.1 | If so, furnish particulars: | | |
| 4.5 | Was any contract between the bidder and the municipality / municipal entity or any other organ of state terminated during the past five years on account of failure to perform on or comply with the contract? | Yes <input type="checkbox"/> | No <input type="checkbox"/> |
| 4.7.1 | If so, furnish particulars: | | |

CERTIFICATION

I, THE UNDERSIGNED (FULL NAME) CERTIFY THAT THE INFORMATION FURNISHED ON THIS DECLARATION FORM TRUE AND CORRECT.

I ACCEPT THAT, IN ADDITION TO CANCELLATION OF A CONTRACT, ACTION MAY BE TAKEN AGAINST ME SHOULD THIS DECLARATION PROVE TO BE FALSE.

.....
Signature

.....
Date

.....
Position

.....
Name of Bidder

SCHEDULE 16: CERTIFICATE OF INDEPENDENT BID DETERMINATION

1. This Municipal Bidding Document (MBD) must form part of all bids¹ invited.
2. Section 4 (1) (b) (iii) of the Competition Act No. 89 of 1998, as amended, prohibits an agreement between, or concerted practice by, firms, or a decision by an association of firms, if it is between parties in a horizontal relationship and if it involves collusive bidding (or bid rigging).² Collusive bidding is a *pe se* prohibition meaning that it cannot be justified under any grounds.
3. Municipal Supply Regulation 38 (1) prescribes that a supply chain management policy must provide measures for the combating of abuse of the supply chain management system, and must enable the accounting officer, among others, to:
 - a. take all reasonable steps to prevent such abuse;
 - b. reject the bid of any bidder if that bidder or any of its directors has abused the supply chain management system of the municipality or municipal entity or has committed any improper conduct in relation to such system; and
 - c. cancel a contract awarded to a person if the person committed any corrupt or fraudulent act during the bidding process or the execution of the contract.
4. This MBD serves as a certificate of declaration that would be used by institutions to ensure that, when bids are considered, reasonable steps are taken to prevent any form of bid rigging.
5. In order to give effect to the above, the attached Certificate of Bid Determination (MBD 9) must be completed and submitted with the bid:

¹ Includes price quotations, advertised competitive bids, limited bids and proposals.

² Bid rigging (or collusive bidding) occurs when businesses, that would otherwise be expected to compete, secretly conspire to raise prices or lower the quality of goods and / or services for purchasers who wish to acquire goods and / or services through a bidding process. Bid rigging is, therefore, an agreement between competitors not to compete.

CERTIFICATE OF INDEPENDENT BID DETERMINATION

I, the undersigned, in submitting the accompanying bid:

.....
(Bid Number and Description)

in response to the invitation for the bid made by: CAPE WINELANDS DISTRICT MUNICIPALITY
do hereby make the following statements that I certify to be true and complete in every respect:

I certify, on behalf of:..... that:
(Name of Bidder)

1. I have read and I understand the contents of this Certificate;
2. I understand that the accompanying bid will be disqualified if this Certificate is found not to be true and complete in every respect;

3. I am authorized by the bidder to sign this Certificate, and to submit the accompanying bid, on behalf of the bidder;
4. Each person whose signature appears on the accompanying bid has been authorized by the bidder to determine the terms of, and to sign, the bid, on behalf of the bidder;
5. For the purposes of this Certificate and the accompanying bid, I understand that the word "competitor" shall include any individual or organization, other than the bidder, whether or not affiliated with the bidder, who:
 - (a) Has been requested to submit a bid in response to this bid invitation;
 - (b) Could potentially submit a bid in response to this bid invitation, based on their qualifications, abilities or experience; and
 - (c) Provides the same goods and services as the bidder and/or is in the same line of business as the bidder
6. The bidder has arrived at the accompanying bid independently from, and without consultation, communication, agreement or arrangement with any competitor. However communication between partners in a joint venture or consortium³ will not be construed as collusive bidding.
7. In particular, without limiting the generality of paragraphs 6 above, there has been no consultation, communication, agreement or arrangement with any competitor regarding:
 - (a) Prices;
 - (b) Geographical area where product or service will be rendered (market allocation)
 - (c) Methods, factors or formulas used to calculate prices;
 - (d) The intention or decision to submit or not to submit, a bid;
 - (e) The submission of a bid which does not meet the specifications and conditions of the bid; or
 - (f) Bidding with the intention not to win the bid.
8. In addition, there have been no consultations, communications, agreements or arrangements with any competitor regarding the quality, quantity, specifications and conditions or delivery particulars of the products or services to which this bid invitation relates.
9. The terms of the accompanying bid have not been, and will not be, disclosed by the bidder, directly or indirectly, to any competitor, prior to the date and time of the official bid opening or of the awarding of the contract.
10. I am aware that, in addition and without prejudice to any other remedy provided to combat any restrictive practices related to bids and contracts, bids that are suspicious will be reported to the Competition Commission for investigation and possible imposition of administrative penalties in terms of section 59 of the Competition Act No. 89 of 1998 and or may be reported to the National Prosecuting Authority (NPA) for criminal investigation and or may be restricted from conducting business with the public sector for a period not exceeding ten (10) years in terms of the Prevention and Combating of Corrupt Activities Act No. 12 of 2004 or any other applicable legislation.

.....
Signature

.....
Date

.....
Position

.....
Name of Bidder

³ Joint venture or Consortium means an association of persons for the purpose of combining their expertise, property, capital, efforts, skill and knowledge in an activity for the execution of a contract.

SCHEDULE 17: CLAIMING PREFERENCE POINTS

| List all partners / members / directors of this enterprise | | | |
|--|---------------------------------|---------------------|-----------------------|
| Van / Surname / Ifani | Voornaam / First name / Amagama | ID Nr./No. Inombolo | State Employee Number |
| | | | |
| | | | |
| | | | |

BROAD-BASED BLACK ECONOMIC EMPOWERMENT (Act 53 of 2003)

| | | |
|---|--|---|
| <p>LW! Om Voorkeerpunte te eis <u>moet</u> 'n gesertifiseerde afskrif van u Gebalanseerde Breë Basis Swart Ekonomiese Bemagtigings-telkaart voorgelê word <u>tesame</u> met die MBD 6.1 Eisvorm vir punte.</p> | <p>NB! To claim Preference points a certified copy of your Balanced Broad-Based Black Economic Empowerment Score Card <u>must</u> be submitted <u>with</u> the MBD 6.1 Claim Form.</p> | <p>QAPHELA! Ukuba ufuna ukwenza ibango lamanqaku akhethekileyo, <u>kufuneka</u> ukuba isicelo sakho sekopi eqinisekisiweyo ye Balanced Broad-Based Black Economic Empowerment Score Card <u>ihambe</u> kunye nefomu eyi MBD 6.1 Claim Form.</p> |
| <p>Vir meer inligting besoek: / For more information please visit: / Inkcukach ezithe vetshe uzakuzifumana aph: The Department of Trade and Industry: http://bee.thedti.gov.za/ South African National Accreditation System: http://www.sanas.co.za/directory.php Independent Regulatory Board of Auditors: http://irba.co.za/index.php</p> | | |

Besigheid of persoon se naam:- / Business or person's name:- / Igama leshishini okanye lomntu

| | |
|--|---|
| <p>**1. Persentasie aandeelhouing van persone (HBI) in die besigheid wat histories benadeel is as gevolg van onregverdige diskriminasie gebaseerd op ras. Percentage of shareholding of persons (HDI) in the business historically disadvantaged because of unfair discrimination based on race. Ipersenti yesabelo sabantu kwishishini elalisakuthinteleka ekuxhamleni amalungelo athile ngenxa yobandlululo ngokobuhlanga.</p> | % |
| <p>2. Persentasie aandeelhouing van persone (HBI) in die besigheid wat histories benadeel is as gevolg van onregverdige diskriminasie gebaseerd op geslag. Percentage of shareholding of persons (HDI) in the business historically disadvantaged because of unfair discrimination based on gender. Ipersenti yesabelo sabantu kwishishini elalisakuthinteleka ekuxhamleni amalungelo athile ngenxa yobandlululo ngokwesini.</p> | % |
| <p>3. Persentasie aandeelhouing van persone (HBI) in die besigheid wat histories benadeel is as gevolg van onregverdige diskriminasie gebaseerd op gestremdeheid. Percentage of shareholding of persons (HDI) in the business historically disadvantaged because of unfair discrimination based on disability. Ipersenti yesabelo sabantu kwishishini elalisakuthinteleka ekuxhamleni amalungelo athile ngenxa yobandlululo ngokobulwelwe.</p> | % |
| <p>4. Persentasie aandeelhouing van persone geklassifiseer as jeug. (18 – 35 Jaar oud). Percentage of shareholding of persons in the business classified as youth. (18 – 35 Years old) Ipersenti labantu abanezabelo kwinkonzo zoshishino ababizwa ngokuba lulutsha (18 – 35 Yeminyaka)</p> | % |
| <p>5. Is u besigheid geleë binne die jurisdiksie van die Distriksmunisipaliteit? In / Uit Is your business established within the area of jurisdiction of the District Municipality? In / Out Ingaba ishishini lakho limi kwingingqi elawulwa nguMasipala wesithili? Ngaphakathi / Ngaphandle</p> | <p><input type="checkbox"/> In/Ngaphakathi <input type="checkbox"/> Uit/Out/Ngaphandle</p> |
| <p>6. Maak u gebruik van plaaslike arbeid (werkskepping)? Ja / Nee Do you make use of local labour (job creation)? Yes / No Uyawasebenzisa amathuba avelayo odalo lomsebenzi (ukudala umsebenzi)? Ewe / hayi</p> | <p><input type="checkbox"/> Ja/Yes/Ewe <input type="checkbox"/> Nee/No/Hayi</p> |

SCHEDULE 19: LOCAL PRODUCTION AND CONTENT

This tender is subject to Regulation 8 “Local Production and Content” of the Preferential Procurement Policy Framework Act, 2000: Preferential Procurement Regulations, 2017 (No. R.32 dated 20 January 2017). Submitting of MBD 6.2 is compulsory.

The Declaration Certificate for Local Production and Content (MBD 6.2) together with the Annexures C, D & E must be completed, duly signed and submitted with the bidder. Bidders must clearly indicate in their bids the quantities to be supplied and the level of local content for each product.

| Steel Construction Material | Components | Local Content Threshold |
|---|---|--------------------------------|
| Fabricated Structural Steel | Latticed steelwork, reinforcement steel, columns, beams, plate girders, rafters, bracing, cladding supports, stair stringers 7 treads, ladders, steel flooring, floor grating, handrailing and balustrading, scaffolding, ducting, gutters, launders, downpipes and trusses | 100% |
| Joining / Connecting Components | Gussets, cleats, stiffeners, splices, cranks, kinks, doglegs, spacers, tabs, brackets | 100% |
| Frames | Doors and Windows | 100% |
| Roof and Cladding | Bare steel cladding, galvanised steel cladding, colour coated cladding | 100% |
| Fasteners | Bolts, nuts, rivets and nails | 100% |
| Wire Products | All fencing product, all barbed wire and mesh fencing, fabric/mesh reinforcing, gabions, wire rope/strand and chains, welding electrodes, nails, tacks, springs and screws | 100% |
| Ducting and Structural Pipework | Non-conveyance tubing fabricated from steel sheeting and plate with structural support | 100% |
| Gutters, downpipes and launders | Fabricated materials made from sheeting associated with roof drainage systems | 100% |
| Steel Construction Materials | | Local Content Threshold |
| Plates (>4.5mm thick and supplied in flat pieces) | | 100% |
| Sheets (<4.5mm thick and supplied with coils) | | 100% |
| Galvanised and colour Coated Coils | | 100% |
| Wire Rod and Drawn wire | | 100% |
| Sections (Channels, Angles, I-Beams and H –Beams) | | 100% |
| Reinforcing bars | | 100% |

3. SECTOR DESIGNATION

- 3.1 The stipulated minimum threshold percentages for local production and content in respect of bagged and bulk cement produced using locally produced raw materials are as follows:

| Cement type | Description | Application | Stipulated Minimum Threshold |
|----------------|---|---|------------------------------|
| Cem I | Pure portland cement with a 95-100% clinker. | All civil and building construction as appropriate | 100% |
| Cem II | Portland cement containing varying additions of secondary materials, i.e. fly ash, pozzolana, slag, silica fume, or limestone | All civil and building construction as appropriate | 100% |
| Cem III | blast furnace cement, 50% OPC, 50% blast furnace slag | All civil and building construction as appropriate | 100% |
| Cem IV | pozzolanic cement, OPC and fly ash | All civil and building construction as appropriate | 100% |
| Cem V | composite cement: slag and ash cement. Blended cements with more than one blending material | All civil and building construction as appropriate | 100% |
| Masonry cement | Mixture of Portland cement and plasticizing materials such as limestone to improve setting time | use in mortar, brick, block, and stone masonry construction | 100% |

- 3.3 The stipulated minimum threshold percentages for local production and content for the Plastic Pipes is **100%**.
- 3.4 To ensure that local production and content is discharged on manufacturing activities, the following components must be included in bid invitations:

| Product Types | Stipulated minimum threshold local content |
|---|--|
| Polyvinyl chloride (PVC) pipes | 100% |
| High density polyethylene (HDPE) pipes; | 100% |
| Polypropylene (PP) pipes | 100% |
| Glass reinforced plastic (GRP) pipes | 100% |

DECLARATION CERTIFICATE FOR LOCAL PRODUCTION AND CONTENT FOR DESIGNATED SECTORS (MBD 6.2)

This Municipal Bidding Document (MBD) must form part of all bids invited. It contains general information and serves as a declaration form for local content (local production and local content are used interchangeably).

Before completing this declaration, bidders must study the General Conditions, Definitions, Directives applicable in respect of Local Content as prescribed in the Preferential Procurement Regulations, 2017, the South African Bureau of Standards (SABS) approved technical specification number SATS 1286:2011 (Edition 1) and the Guidance on the Calculation of Local Content together with the Local Content Declaration Templates [Annex C (Local Content Declaration: Summary Schedule), D (Imported Content Declaration: Supporting Schedule to Annex C) and E (Local Content Declaration: Supporting Schedule to Annex C)].

1. General Conditions

- 1.1. Preferential Procurement Regulations, 2017 (Regulation 8) make provision for the promotion of local production and content.
- 1.2. Regulation 8.(2) prescribes that in the case of designated sectors, organs of state must advertise such tenders with the specific bidding condition that only locally produced or manufactured goods, with a stipulated minimum threshold for local production and content will be considered.
- 1.3. Where necessary, for tenders referred to in paragraph 1.2 above, a two stage bidding process may be followed, where the first stage involves a minimum threshold for local production and content and the second stage price and B-BBEE.
- 1.4. A person awarded a contract in relation to a designated sector, may not sub-contract in such a manner that the local production and content of the overall value of the contract is reduced to below the stipulated minimum threshold.
- 1.5. The local content (LC) expressed as a percentage of the bid price must be calculated in accordance with the SABS approved technical specification number SATS 1286: 2011 as follows:

$$\text{LC} = [1 - x / y] * 100$$

Where

- x is the imported content in Rand
- y is the bid price in Rand excluding value added tax (VAT)

Prices referred to in the determination of x must be converted to Rand (ZAR) by using the exchange rate published by South African Reserve Bank (SARB) at 12:00 on the date of advertisement of the bid as indicated in paragraph 3.1 below.

The SABS approved technical specification number SATS 1286:2011 is accessible on http://www.thedti.gov.za/industrial_development/ip.jsp at no cost.

- 1.6. A bid may be disqualified if this Declaration Certificate and the Annex C (Local Content Declaration: Summary Schedule) are not submitted as part of the bid documentation;

2. The stipulated minimum threshold(s) for local production and content (refer to Annex A of SATS 1286:2011) for this bid is/are as follows:

| <u>Description of services, works or goods</u> | <u>Stipulated minimum threshold</u> |
|---|--|
| Fabricate Structural Steel | 100 % |
| Joining / Connecting Components | 100 % |
| Frames | 100 % |
| Roof and Cladding | 100 % |
| Fasteners | 100 % |
| Wire products | 100 % |
| Ducting and Structural Pipework | 100 % |
| Gutters, downpipes and launders | 100 % |
| Plates | 100 % |
| Sheets | 100 % |
| Galvanized and colour coated coils | 100 % |
| Wire rod and drawn wire | 100 % |
| Sections | 100 % |
| Reinforcing bars | 100 % |
| Cement | 100% |
| Plastic pipes | 100% |

3. Does any portion of the goods or services offered have any imported content?

(Tick applicable box)

| | | | |
|-----|--------------------------|----|--------------------------|
| YES | <input type="checkbox"/> | NO | <input type="checkbox"/> |
|-----|--------------------------|----|--------------------------|

3.1 If yes, the rate(s) of exchange to be used in this bid to calculate the local content as prescribed in paragraph 1.5 of the general conditions must be the rate(s) published by SARB for the specific currency at 12:00 on the date of advertisement of the bid.

The relevant rates of exchange information is accessible on www.reservebank.co.za

Indicate the rate(s) of exchange against the appropriate currency in the table below (refer to Annex A of SATS 1286:2011):

| Currency | Rates of exchange |
|-----------------|--------------------------|
| US Dollar | |
| Pound Sterling | |
| Euro | |
| Yen | |
| Other | |

NB: Bidders must submit proof of the SARB rate (s) of exchange used.

4. Where, after the award of a bid, challenges are experienced in meeting the stipulated minimum threshold for local content the dti must be informed accordingly in order for the dti to verify and in consultation with the AO/AA provide directives in this regard.

LOCAL CONTENT DECLARATION
(REFER TO ANNEX B OF SATS 1286:2011)

LOCAL CONTENT DECLARATION BY CHIEF FINANCIAL OFFICER OR OTHER LEGALLY RESPONSIBLE PERSON NOMINATED IN WRITING BY THE CHIEF EXECUTIVE OR SENIOR MEMBER/PERSON WITH MANAGEMENT RESPONSIBILITY (CLOSE CORPORATION, PARTNERSHIP OR INDIVIDUAL)

IN RESPECT OF BID NO.

ISSUED BY: CAPE WINELANDS DISTRICT MUNICIPALITY

NB

- 1 The obligation to complete, duly sign and submit this declaration cannot be transferred to an external authorized representative, auditor or any other third party acting on behalf of the bidder.
- 2 Guidance on the Calculation of Local Content together with Local Content Declaration Templates (Annex C, D and E) is accessible on http://www.thdti.gov.za/industrial_development/ip.jsp. Bidders should first complete Declaration D. After completing Declaration D, bidders should complete Declaration E and then consolidate the information on Declaration C. **Declaration C should be submitted with the bid documentation at the closing date and time of the bid in order to substantiate the declaration made in paragraph (c) below.** Declarations D and E should be kept by the bidders for verification purposes for a period of at least 5 years. The successful bidder is required to continuously update Declarations C, D and E with the actual values for the duration of the contract.

I, the undersigned, (full names),

do hereby declare, in my capacity as

of(name of bidder entity),
the following:

- (a) The facts contained herein are within my own personal knowledge.
- (b) I have satisfied myself that:
 - (i) the goods/services/works to be delivered in terms of the above-specified bid comply with the minimum local content requirements as specified in the bid, and as measured in terms of SATS 1286:2011; and
- (c) The local content percentage (%) indicated below has been calculated using the formula given in clause 3 of SATS 1286:2011, the rates of exchange indicated in paragraph 3.1 above and the information contained in Declaration D and E which has been consolidated in Declaration C:

| | |
|--|--|
| Bid price, excluding VAT (y) | |
| Imported content (x), as calculated in terms of SATS 1286:2011 | |
| Stipulated minimum threshold for local content (paragraph 3 above) | |
| Local content %, as calculated in terms of SATS 1286:2011 | |

If the bid is for more than one product, the local content percentages for each product contained in Declaration C shall be used instead of the table above.

The local content percentages for each product has been calculated using the formula given in clause 3 of SATS 1286:2011, the rates of exchange indicated in paragraph 3.1 above and the information contained in Declaration D and E.

- (d) I accept that the Procurement Authority / Institution has the right to request that the local content be verified in terms of the requirements of SATS 1286:2011.
- (e) I understand that the awarding of the bid is dependent on the accuracy of the information furnished in this application. I also understand that the submission of incorrect data, or data that are not verifiable as described in SATS 1286:2011, may result in the Procurement Authority / Institution imposing any or all of the remedies as provided for in Regulation 14 of the Preferential Procurement Regulations, 2017 promulgated under the Preferential Policy Framework Act (PPPFA), 2000 (Act No. 5 of 2000).

SIGNATURE: _____

DATE: _____

WITNESS No. 1 _____

DATE: _____

WITNESS No. 2 _____

DATE: _____

Annex C

Local Content Declaration - Summary Schedule

Note: VAT to be excluded from all calculations

(C1) Tender No.
 (C2) Tender description:
 (C3) Designated product(s)
 (C4) Tender Authority:
 (C5) Tendering Entity name:
 (C6) Tender Exchange Rate:
 (C7) Specified local content %

STEEL PRODUCTS AND COMPONENTS FOR CONSTRUCTION
 CAPE WINELANDS DISTRICT MUNICIPALITY

Pula EU GBP

| Tender item no's (C8) | List of items (C9) | Calculation of local content | | | Local value (C14) | Local content % (per item) (C15) | Tender Qty (C16) | Total tender value (C17) | Total exempted imported content (C18) | Total imported content (C19) | |
|--------------------------|------------------------------------|---|----------------------------------|--|----------------------|-------------------------------------|---|-----------------------------|--|---------------------------------|-------------------------|
| | | Tender price - each (excl VAT) (C10) | Exempted Imported value (C11) | Tender value - net of exempted imported content (C12) | | | | | | | Imported value (C13) |
| | Fabricate Structural Steel | | | | | | | | | | |
| | Joining / Connecting Components | | | | | | | | | | |
| | Frames | | | | | | | | | | |
| | Roof and Cladding | | | | | | | | | | |
| | Fasteners | | | | | | | | | | |
| | Wire products | | | | | | | | | | |
| | Ducting and Structural Pipework | | | | | | | | | | |
| | Gutters, downpipes and launders | | | | | | | | | | |
| | Plates | | | | | | | | | | |
| | Sheets | | | | | | | | | | |
| | Galvanized and colour coated coils | | | | | | | | | | |
| | Wire rod and drawn wire | | | | | | | | | | |
| | Sections | | | | | | | | | | |
| | Reinforcing bars | | | | | | | | | | |
| | | | | | | | (C20) Total tender value | - | | | |
| | | | | | | | (C21) Total Exempt imported content | | - | | |
| | | | | | | | (C22) Total Tender value net of exempt imported content | | | - | |
| | | | | | | | (C23) Total imported content | | | - | |
| | | | | | | | (C24) Total local content | | | - | |
| | | | | | | | (C25) Average local content % of tender | | | - | |

Signature of tenderer from Annex B

Date: _____

SCHEDULE 20: COIDA LETTER OF GOOD STANDING

A valid Letter of Good Standing from the Compensation Commissioner or a certified copy thereof must be attached to this page unless the bidder is registered on the Accredited Supplier Database of the Municipality and the Municipality has a valid Letter of Good Standing from the Compensation Commissioner or a certified copy thereof for the bidder on record. The onus is on the bidder to ensure that the Municipality has a valid Letter of Good Standing from the Compensation Commissioner or a certified copy thereof on record.

A letter of good standing for “tender purposes” from the Department of Labour will also be accepted.

If no such document/s as specified by the Municipality is submitted or on record, the bid will be disqualified.

SCHEDULE 21: REGISTRATION WITH THE BARGAINING COUNCIL

A valid Letter of Good Standing from the Bargaining Council or a certified copy thereof must be attached to this page. The onus is on the bidder to ensure that the Municipality has a valid Letter of Good Standing from the Bargaining Council or a certified copy thereof on record.

If no such document/s as specified by the Municipality is submitted or on record, the bid will be disqualified.

THE CONTRACT

PART C1: AGREEMENTS AND CONTRACT DATA

C1.1 Form of Offer and Acceptance

C1.2 Contract Data

C1.1: FORM OF OFFER AND ACCEPTANCE

IMPORTANT NOTE:

The Tender Form (Offer by Tenderer) shall be completed and signed by all tenderers. Failure to properly complete and sign the Tender Form shall lead to disqualification of the tender.

The Acceptance Form, shall be signed by the Employer to formalise the Contract Agreement after the successful tenderer has been formally notified of award.

The Schedule of Deviations forms an integral part of the Contract Agreement.

C1.1: FORM OF OFFER AND ACCEPTANCE (AGREEMENT)

OFFER BY TENDERER

The Employer, identified in the Acceptance signature block, has solicited offers to enter into a contract in respect of the following works: Contract No: **T2022/039: CONSTRUCTION / UPGRADING OF ABLUTION FACILITIES AT RURAL SCHOOLS.**

The Tenderer, identified in the Offer signature block below, has examined the documents listed in the Tender Data and addenda thereto as listed in the Returnable Schedules, and by submitting this Offer has accepted the Conditions of Tender.

By the representative of the Tenderer, deemed to be duly authorized, signing this part of this Form of Offer and Acceptance, the Tenderer offers to perform all of the obligations and liabilities of the Contractor under the Contract including compliance with all its terms and conditions according to their true intent and meaning for an amount to be determined in accordance with the Conditions of Contract identified in the Contract Data.

The offered rate as per Bill (VAT inclusive) is as follows:

| | |
|--|----------------|
| Hugenot VGK Primary (Robertson area) | R |
| Errie Moller Primary (Wolseley area) | R |
| Aan De Doorns Primary (Worcester area) | <u>R</u> |
| TOTAL | <u>R</u> |

This Offer may be accepted by the Employer by signing the Acceptance part of this Form of Offer and Acceptance and returning one copy of this document to the Tenderer before the end of the period of validity stated in the Tender Data, whereupon the Tenderer becomes the party named as the Contractor in the Conditions of Contract identified in the Contract Data.

C1.1.3 Form of Offer and Acceptance

Signature: *(of person authorized to sign the tender)*.....

Name: *(of signatory in capitals)*:

Capacity: *(of Signatory)*:

Name of Tenderer: *(organisation)*:

Address:

.....

Telephone number: Fax number:.....

Witness:

Signature:

Name: *(in capitals)*:.....

Date:

[Failure of a Tenderer to complete and sign this Form of Offer will invalidate the tender]

ACCEPTANCE BY EMPLOYER

By signing this part of the Form of Offer and Acceptance, the Employer identified below accepts the Tenderer's Offer. In consideration thereof, the Employer shall pay the Contractor the amount due in accordance with the Conditions of Contract identified in the Contract Data. Acceptance of the Tenderer's Offer shall form an agreement between the Employer and the Tenderer upon the terms and conditions contained in this Agreement and in the Contract that is the subject of this Agreement.

The terms of the contract are contained in

- Part C1 Agreement, and Contract Data, (which include this Agreement)
- Part C2 Pricing Data, including the Bill of Quantities
- Part C3 Scope of Work

and drawings and documents or parts thereof, which may be incorporated by reference into Parts C1 to C3 above.

Deviations from and amendments to the documents listed in the Tender Data and any addenda thereto as listed in the Tender Schedules as well as any changes to the terms of the Offer agreed by the Tenderer and the Employer during this process of offer and acceptance, are contained in the Schedule of Deviations attached to and forming part of this Agreement. No amendments to or deviations from said documents are valid unless contained in this Schedule.

The Tenderer shall within two weeks after receiving a formal Letter of Award, including the Schedule of Deviations (if any), contact the Employer or its agent (whose details are given in the Contract Data) to arrange the delivery of bonds, guarantees and any other documentation to be provided in terms of the Conditions of Contract identified in the Contract Data, upon receipt of which the Employer will execute the contract by signing this Agreement. Failure to fulfil any of these obligations in accordance with those terms shall constitute a repudiation of this Agreement.

Notwithstanding anything contained herein, this Agreement comes into effect on the date when the Tenderer receives one fully completed original copy of this document, including the Schedule of Deviations (if any). Unless the Tenderer (now Contractor) within five days of the date of such receipt notifies the Employer in writing of any reason why he cannot accept the contents of this Agreement, this Agreement shall constitute a binding contract between the parties.

Signature(s):

Name(s):

Capacity for the Tenderer:

Name of organization.....

Name and Signature of Witness:Date:

SCHEDULE OF DEVIATIONS

Notes:

1. The extent of deviations from the tender documents issued by the Employer prior to the tender closing date is limited to those permitted in terms of the Conditions of Tender,
2. A Tenderer's covering letter shall not be included in the final contract document. Should any matter in such, letter, which constitutes a deviation as aforesaid become the subject of agreements reached during the process of, offer and acceptance, the outcome of such agreement shall be recorded here,
3. Any other matter arising from the process of offer and acceptance either as a confirmation, clarification or change to the tender documents and which it is agreed by the Parties becomes an obligation of the contract shall also be recorded here,
4. Any change or addition to the tender documents arising from the above agreements and recorded here, shall also be incorporated into the final draft of the Contract,

1. **Subject:**

Details:

.....

2. **Subject:**

Details:

.....

3. **Subject:**

Details:

.....

4. **Subject:**

Details:

.....

5. **Subject:**

Details:

.....

By the duly authorised representatives signing this Agreement, the Employer and the Tenderer agree to and accept the foregoing Schedule of Deviations as the only deviations from and amendments to the documents listed in the Tender Data and addenda thereto as listed in the Tender Schedules, as well as any confirmation, clarification or change to the terms of the offer agreed by the Tenderer and the Employer during this process of offer and acceptance.

It is expressly agreed that no other matter whether in writing, oral communication or implied during the period between the issue of the tender documents and the receipt by the Tenderer of a completed signed copy of this Agreement shall have any meaning or effect in the contract between the parties arising from this Agreement.

For the Tenderer:

Signature:

Name: (*in capitals*)

Capacity:

Name of Tenderer (*organisation*)

Address:

.....

Witness: Signature: **Name** (*in capitals*):

Date:

For the Employer:

Signature:

Name: (*in capitals*)

Capacity:

Name of Employer (*organisation*)

Address:

.....

Witness: Signature: **Name** (*in capitals*):

Date:

CONFIRMATION OF RECEIPT

The Tenderer, (now Contractor), identified in the Offer part of this Agreement hereby confirms receipt from the Employer, identified in the Acceptance part of this Agreement, of one fully completed original copy of this Agreement, including the Schedule of Deviations (if any) today:

the (day) of(month) 20..... at (place).

For the Contractor:

Signature:

Name: (*in capitals*)

Capacity:

Name of Contractor (*organisation*)

Address:

.....

Witness: Signature: **Name** (*in capitals*):

Date:

For the Employer:

Signature:

Name: (*in capitals*)

Capacity:

Name of Employer (*organisation*)

Address:

.....

Witness: Signature: **Name** (*in capitals*):

Date:

C1.2: CONTRACT DATA (PART 1)

CONDITIONS OF CONTRACT

The General Conditions of Contract for Construction Works (Short Form), First Edition (2018) available from the South African Institution of Civil Engineering, Private Bag X200, Halfway House, 1685, is applicable to this Contract and is obtainable from www.saice.org.za.

CONTRACT SPECIFIC DATA

The following contract specific data, referring to the General Conditions of Contract for Construction Works (short Form) First Edition (2018) are applicable to this Contract:

Compulsary Data

- 1.1.1.13 The Defects Liability Period is 6 months.
- 1.1.1.14 The time for achieving Practical Completion is 6 months or as mutually agreed upon.
- 1.1.1.15 The name of the Employer is CAPE WINELANDS DISTRICT MUNICIPALITY.
- 1.2.1.2 The address of the Employer is
- 29 Du Toit Street
Stellenbosch
7600
- P.O. Box 100
Stellenbosch
7599
- Telephone: 023 348 2300
Facsimile: 023 342 8442
E-mail: admin@capewinelandsgov.za
- 1.1.1.24 The Pricing Strategy is Fixed Price Contract.
- 1.1.1.12/5.8.1 The non-working days are Sundays. The special non-working days are:
- 1) Public Holidays.
- 5.3.1 The documentation required before commencing with the Works are:
- 1) Programme
 - 2) Health and Safety Plan
- The time to submit the documentation required before commencement of the Works is 7 days.
- 5.13.1 The penalty for failing to complete the Works is R 500.00 per day.

Interim payments will be payable on completion of tasks.

6.10.1 The limit of retention money is 10% of contract value where interim payments are made.

6.10.3 Add: The final Payment Certificate will not be less than 10% of the Contract Value.

6.10.9 Price adjustments for variations in the costs of special materials are not allowed.

Dispute resolution shall be by standing adjudication.

10.5.1

The determination of disputes shall be by arbitration

10.7.1

PART C2: PRICING DATA

C2.1: PRICING ASSUMPTIONS

C2.2: BILL OF QUANTITIES

C2.1: PRICING ASSUMPTIONS

C2.1.1 GENERAL

The Bill of Quantities forms part of the Contract Documents and must be read and priced in conjunction with all the other documents comprising the Contract Documents, which include the Conditions of Tender, Conditions of Contract, the Specifications (including the Contract Specification) and the Drawings.

C2.1.1.2 DESCRIPTION OF ITEMS IN THE SCHEDULE

The short description given in the Bill of Quantities are a brief description used to identify the activities for which prices are required. Detailed descriptions of the activities to be priced are provided in the Scope of Works. Payment will be done according to the completion of different phases as per pricing schedule.

C2.1.1.3 PRICING OF THE BILL OF QUANTITIES

OVERVIEW

The Bills of Quantities include the price for the purchase / renting of equipment, material needed to execute the work, transport, insurance, UIF, Workman Compensation and skills cost, PPE and labour as described in the Scope of Works.

C2.2: BILL OF QUANTITIES

The Bills of Quantities include the price for the purchase / renting of equipment, material needed to execute the work, transport, insurance, UIF, Workman Compensation and skills cost, PPE and labour as described in the Scope of Works.

For proper evaluation purposes it is essential that this specific pricing schedule be completed in full and signed. Alternative pricing will not be accepted.

Errie Moller Primary

DETAIL PRICING SCHEDULE

**RATE PER PHASE
(VAT Incl.)**

- | | | |
|-----|---|----------------|
| 1) | Construct foundations up till floor level | R |
| 2) | Construct top structure till roof height | R |
| 3) | Install roof completely with ceiling | R |
| 4) | All carpentry work complete | R |
| 5) | All plumbing completed | R |
| 6) | All plaster work completed | R |
| 7) | All glazing completed | R |
| 8) | All paint work completed | R |
| 9) | Security gate complete installed | R |
| 10) | Clearing site | <u>R</u> |
| 11) | Tender Price (To be carried over to page C1.2) | R |

Hugenoot VGK Primary

DETAIL PRICING SCHEDULE

**RATE
(VAT Incl.)**

- | | | |
|----|---|----------------|
| 1) | Construct septic tank as per specification | <u>R</u> |
| | Tender Price (To be carried over to page C1.2) | R |

Aan De Doorns Primary

DETAIL PRICING SCHEDULE

**RATE PER PHASE
(VAT Incl.)**

| | | |
|-----|---|----------------|
| 1) | Install roof completely with ceiling | R |
| 2) | All carpentry work complete | R |
| 3) | All plumbing completed | R |
| 4) | All plaster work completed | R |
| 5) | All glazing completed | R |
| 6) | All paint work completed | R |
| 7) | Security gate complete installed | R |
| 8) | Clearing site | <u>R</u> |
| 12) | Tender Price (To be carried over to page C1.2) | R |

DECLARATION (In respect of completeness of Tender)

CAPE WINELANDS DISTRICT MUNICIPALITY
29 Du Toit Street
STELLENBOSCH
7600

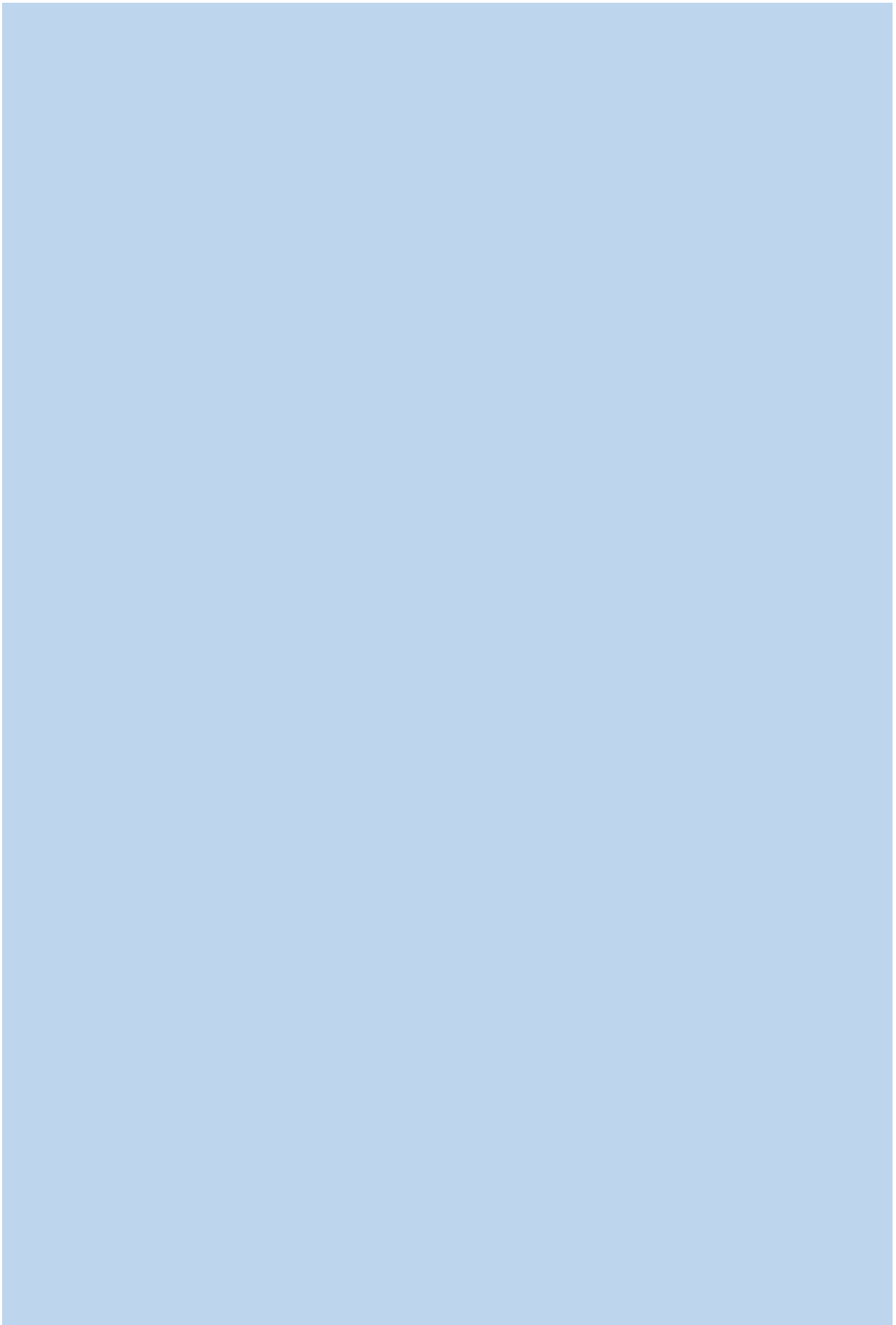
I/We, the undersigned, do hereby declare that the preceding pages are the Bill of Quantities forming Part C2.2 of this Contract Document upon which my / our tender for T2022/039: CONSTRUCTION / UPGRADING OF ABLUTION FACILITIES AT RURAL SCHOOLS has been based.

Signature: *(of person authorized to sign the tender)*

Name: *(of signatory in capitals)*:

Capacity: *(of Signatory)*:

Name of Tenderer: *(organisation)*:



PART C3: SCOPE OF WORK

- C3.1 Description of Works
- C3.2 Health and Safety Specifications
- C3.3 Drawings

SCOPE OF WORKS

1) INTRODUCTION AND BACKGROUND

The Cape Winelands District Municipality (CWDM) invites bids from Service Providers with a CIDB grading of 1GB or higher for the construction and upgrading of ablution facilities at rural schools in the Robertson, Worcester and Wolseley area.

The work consists of the construction of an ablution facility at Errol Moller Primary in the Wolseley area as well as the construction of a septic tank at Huguenoot VGK Primary in the Robertson area and the completion of ablution facilities at Aan De Doorns Primary in the Worcester area. The sites with co-ordinates are as follows:

| | | |
|------|--|----------------------------------|
| I. | Errol Moller Primary (Wolseley area) | – 33°25'01.40" S, 19°14'28.90" E |
| II. | Huguenoot VGK Primary (Robertson area) | – 33°48'39.12" S, 19°46'54.84" E |
| III. | Aan De Doorns Primary (Worcester area) | – 33°41'50.57" S, 19°29'36.95" E |

2) PURPOSE OF THE TENDER

The Cape Winelands District Municipality assists rural schools with water and sanitation service upgrades.

3) SCOPE OF WORK

For the purpose of this Contract, SANS 10400 (Part A to Part W): The application of the National Building Regulations shall apply. The Scope of Works comprise of the following:

3.1 ERRIE MOLLER PRIMARY

- a) A new ablution facility needs to be constructed as per drawing.
- b) The service provider must utilise the dimensions as per the drawings and should not measure or scale it.
- c) The site is situated on a rock bed and a jackhammer may be needed for digging trenches for the foundation and sewer connection pipe.
- d) The structure must be built with bricks and plastered as per the drawings.

3.1.1 CONSTRUCTION OF FOUNDATIONS UP TILL FLOOR LEVEL:

- a) Foundation dimensions should be according to the drawings.
- b) Floor needs to be constructed according to drawings.

3.1.2 CONSTRUCTION OF TOP STRUCTURE TILL ROOF HEIGHT

- a) Construction of walls according to drawings.
- b) Internal walls between toilet needs to be built up to door height.
- c) Supply and install 10 steel windows (NE1) as indicated on drawings, with non-see-through glazing for each window.

3.1.3 CONSTRUCTION OF ROOF AND INSTALLATION OF CEILING

- a) Construct roof trusses (150 x 50 GR5 beams) and purlins (75 x 50) as per drawing.
- b) Supply Aluminium Zinc roof sheeting and fix according to suppliers' specifications and provide flashing on all sides of building.
- c) Supply and fix asbestos-type facia board on the full length of the building.
- d) Supply and fix a PVC gutter on the full length of the lower side of the building.
- e) Provide a ceiling (battens, ceiling board and cornice) for the whole structure and finish off.

3.1.4 ALL CARPENTRY WORKS COMPLETE

- a) Supply and install 7 solid Pine doors (Toilet doors) completely with side frame. Provide each door with a slide lock at the inside of the door.
- b) Supply and install 2 external doors (SD2) Cape Culture or similar approved designs. Provide these doors with a 3-lever door lock.

3.1.5 ALL PLUMBING COMPLETED

- a) Supply and install 7 standard toilets with associated 6l SISO cistern complete with cover and accessories need to be provided.
- b) Supply and install 2 waterless urinals to be approved by Council's representative.
- c) Supply and install 1 Ball O Stockcock for building.
- d) Supply and install 4 hard plastic type Hand Wash Basins as indicated on drawings with 1 cold water tap at each wash basin and fixed to wall according to manufacturer's specifications. Two rows of white tiles must be fixed above and the width of the basins.
- e) All toilets and the wash basins need to be connected to a sewer system to be connected to the existing sewer line (approximately 20 metres distance).
- f) Connect the new sewer line to an existing line next to the building.
- g) Connect the new water connection to the existing line. The existing line is adjacent to the new building. The connection line should be a 25 mm thick pipeline.
- h) All sewer and water connections need to be done according to the SANS and the National Building Regulations as indicated on the sewer layout plan.

3.1.6 ALL PLASTER WORK COMPLETED

- a) Plaster the building complete on the inside and outside. The internal wall between the toilets needs to be plaster on the top.

3.1.7 ALL PAINT WORK TO BE COMPLETED

- a) The service provider must provide all paint and associated products
- b) Paint to be applied on the interior and exterior walls of the building (Colour to be finalized on site – All colours to be pastel colours).
- c) Apply a plaster primer and when dry, apply 2 coats of Super Acrylic on the interior and exterior walls of the building.
- d) Apply a plaster primer and when dry, apply 2 coats of Super Acrylic white paint on ceiling and cornice.
- e) Apply 1 coat Universal undercoat with 2 coats of Super Universal Enamel to the steel windows and gates.
- f) 3 Layers of Polyurethane varnish needs to be applied on all new doors.

3.1.8 SECURITY GATE COMPLETED INSTALLED

- a) Supply and install 2 steel security gates for the outside doors and install accordingly.

3.1.9 CLEARING SITE

- a) All access material must be removed from site and the ground level be re-instated as previously. Site needs to be clean.

3.2) HUGUENOOT VGK PRIMARY

- a) Construct a new septic tank as per drawing. Use dimensions as per drawing.
- b) The tank needs to be plastered on the inside as well as the outside to seal the tank.
- c) Make provision for openings at the bottom of the centre wall as per drawing.
- d) The manhole covers must be supplied and fixed.
- e) The manhole must be covered with hard plastic type 9D manhole covers.
- f) Provision must be made for the rock sewer to be 10 metre in length and 1.5 m deep. This must be filled with river stones (Size 75 to 200 mm) and then covered with PVC plastic sheets or roof sheets to prevent the topsoil to infiltrate the river stones.
- g) The new septic tank must be connected to an existing manhole from the inlet side (Length approximately 5 metres from manhole).
- h) The manhole must be modified in such a way that the inlet pipe to both the new and existing septic tank can be blocked off in order to ensure that anyone, or both the septic tanks can be used.

3.3) AAN DE DOORNS PRIMARY

3.3.1 INSTALL ROOF COMPLETELY WITH CEILING

- a) The roof has been installed, provide asbestos-type flashing on all sides of the building as well as against the current school building wall. Make provision to cut all access sheeting on the sides to install the flashing properly.
- b) Supply and fix fascia board on the full length of the building.
- c) Supply and fix a PVC gutter on the full length of the lower side of the building.
- d) Provide a ceiling (battens, ceiling board and cornice) for the whole structure and finish off.

3.3.2 ALL CARPENTRY WORKS COMPLETE

- a) Supply and install 4 solid Pine doors (Toilet doors D1), frames have been installed. Provide each door with a slide lock at the inside of the door.
- b) Supply and build in 1 external door (SD2) Cape Culture design. Provide these doors with a 3-lever door lock.

3.3.3 All plumbing completed

- a) The 4 toilets with the outlet pipe have been installed. The associated 6l SISO cistern at all 4 toilets must be supplied and installed with cover and accessories.
- b) Supply and install 1 Ball O Stop cock for building.
- c) Supply and install 1 hard plastic type Hand Wash Basin as indicated on drawings with 1 cold water tap at each wash basin and fixed to wall according to manufacturer's specifications. Two rows of white tiles must be fixed above and the width of the basins.
- d) All toilets and the wash basin must be connected to a sewer system to be connected to the existing sewer line servicing the existing septic tank. (Approximately 21 metres distance).
- e) Connect the new sewer line from the toilet outlet (length of 4 outlets approximately 4 metres) to the existing line approximately 17 metres from the building. Make provision for a bend as well as a T-peace at the existing line as illustrated on the drawing.
- f) Connect the new water connection to the existing line. The existing line is adjacent to the new building. The connection line should be a 25 mm thick pipeline.
- g) All sewer and water connections need to be done according to the SANS and the National Building Regulations as indicated on the sewer layout plan.

3.3.4 All plaster work completed

- a) Provision should be made to rectify some plaster work on corners in the building, around the doorframes that is installed, on top at ceiling height and at 4 windows to be replaced (see All glazing completed).
- b) Walls between the toilets were constructed.
- c) The screed on the floor needs to be completed.

3.3.5 All glazing completed

- a) Replace the existing 4 steel windows (NE1) already installed with new ones as indicated on drawings and supply and install non-see-through glazing for each window.

3.3.6 All paint work completed

- a) The service provider must provide all paint and associated products.
- b) Paint to be applied on the interior and exterior walls of the building (Colour to be finalized on site – All colours to be pastel colours).
- c) Apply a plaster primer and when dry, apply 2 coats of Super Acrylic on the interior and exterior walls of the building.
- d) Apply a plaster primer and when dry, apply 2 coats of Super Acrylic white paint on ceiling and cornice.
- e) Apply 1 coat Universal undercoat with 2 coats of Super Universal Enamel to the steel windows and gates.
- f) 3 Layers of Polyurethane varnish needs to be applied on all new doors.

3.3.7 Security gate completed installed

- a) Supply and install 1 steel security gate for the outside door and install accordingly.

3.3.8 Clearing Site

- a) Re-instate a sidewalk with area 12 m² with pavers available on site for 9 m². Make provision for an additional 7 m² of pavers as well as the layer works for the sidewalk.
- b) All access material must be removed from site and the ground level be re-instated as previously. Site needs to be clean.

4) DELIVERABLES

Successful construction of the facilities at Errie Moller -, Huguenoot VGK -, and Aan De Doorns Primary and commission it successfully as per Scope of Work and Drawings at

each site accordingly to SANS 10400 (Part A to Part W): The application of the National Building Regulations.

5) REMUNERATION

- a) No advance payments will be made for any reason whatsoever. The successful tenderer shall be entitled to render interim accounts which are payable within 30 days. Accounts shall be based on an assessment of the completed work performed to date.
- b) The successful tenderer will be remunerated as priced in the Bill of Quantities for work completed.
- c) Any fees or remuneration are inclusive of Value Added Tax.
- d) 10% retention money will be deducted and be payable at the end of practical completion.

6) DELIVERY / TIME FRAMES

The time for achieving Practical Completion is 6 months or as mutually agreed upon. The starting date applicable will comments at site handover.

OCCUPATIONAL HEALTH & SAFETY SPECIFICATION

FOR



| Version | Date | Reason for Issue | Author | Checked | Approved |
|---------|------|------------------|--------|---------|----------|
| 00 | | | | | |
| 01 | | | | | |
| 02 | | | | | |

HEALTH & SAFETY SPECIFICATIONS

TABLE OF CONTENTS

1. SCOPE AND DESCRIPTION OF PROJECT 100

2. DEFINITIONS 101

APPLICABLE LEGISLATION 102

NOTIFICATION OF CONSTRUCTION 103

RESPONSIBILITIES 103

REGISTRATION WITH THE WORKMEN’S COMPENSATION OR LICENSED INSURER 106

MANDATARY AGREEMENT..... 107

ASSIGNED PERSON IN TERMS OF OCCUPATIONAL HEALTH & SAFETY ACT OF 1993 & APPLICABLE REGULATIONS 107

HEALTH AND SAFETY DOCUMENTATION 108

RISK ASSESSMENT..... 108

SAFE WORK PROCEDURES 109

METHOD STATEMENT 110

FALL PROTECTION PLAN 110

OCCUPATIONAL HEALTH & SAFETY FILE..... 111

HEALTH AND SAFETY REPRESENTATIVES 112

HEALTH & SAFETY TRAINING..... 112

FIRE PREVENTION AND PROTECTION 113

EMERGENCY PREPAREDNESS..... 113

INCIDENTS/ACCIDENTS REPORTING AND INVESTIGATION 113

PERSONAL PROTECTIVE EQUIPMENT..... 114

FALL PROTECTION (WORKING IN ELEVATED POSITIONS) 114

RISK ASSESSMENT FOR CONSTRUCTION WORK 116

STRUCTURES..... 116

TEMPORARY WORK..... 117

EXCAVATIONS 118

DEMOLITION WORK..... 118

SCAFFOLDING 118

CRANES 119

| | |
|---|------------------------------|
| <u>LIFTING EQUIPMENT, TACKLE, MATERIAL HOIST AND CRANES</u> | 120 |
| <u>CONSTRUCTION VEHICLES & MOBILE PLANT</u> | 121 |
| <u>ELECTRICAL INSTALLATIONS AND MACHINERY ON CONSTRUCTION SITES</u> | 122 |
| <u>USE AND TEMPORARY STORAGE OF FLAMMABLE LIQUIDS ON CONSTRUCTION SITES</u> | 122 |
| <u>HOUSEKEEPING AND GENERAL SAFEGUARDING ON CONSTRUCTION SITES</u> | 124 |
| <u>STACKING AND STORAGE ON CONSTRUCTION SITES</u> | 125 |
| <u>FIRE PRECAUTIONS ON CONSTRUCTION SITES</u> | 125 |
| <u>CONSTRUCTION EMPLOYEES' FACILITIES</u> | 126 |
| <u>LADDERS</u> | 126 |
| <u>PRESSURE EQUIPMENT</u> | 126 |
| <u>PUBLIC SAFETY AND SECURITY</u> | 126 |
| <u>NIGHT WORK</u> | 127 |
| <u>HIRED PLANT AND MACHINERY</u> | 127 |
| <u>ROAD CONSTRUCTION WORK</u> | 127 |
| <u>TRAFFIC MANAGEMENT PLAN</u> | 127 |
| <u>LIQUOR, DRUGS, DANGEROUS WEAPONS, FIREARMS</u> | 128 |
| <u>INTERNAL/EXTERNAL AUDITS</u> | 128 |
| <u>Work Stoppage</u> | Error! Bookmark not defined. |

INTRODUCTION

In terms of the Construction Regulation 5(1) b the client, is required to compile a Health & Safety specification for any intended project and provide such specification to any prospective contractor and designers. The contractor, on appointment shall submit a Health & Safety plan which shall address the requirements of this specification.

This specification objective is to ensure that the contractor(s) entering into a contract with CWDM achieve an acceptable level of OH&S performance. This document forms an integral part of Project Information and the contract. Principle and other contractors should make it part of any contract that they may have with their contractors and /or suppliers.

Compliance with this document does not absolve the client from complying with minimum legal requirements and the client remains responsible for the health & safety of his employees and those of his mandatories. Cape Winelands District Municipality–reserves the right to audit, monitor and where necessary regulate the site work activities of any principle contractor or appointed subcontractor as per Construction Regulation 5(1) (o) and section 5 of this document.

SCOPE AND DESCRIPTION OF PROJECT

| | |
|------------------------------------|--|
| Client: | |
| Principle Contractor: | |
| Sub-contractor/(s): | |
| Project Location: | |
| Project Duration: | |
| Project Description: | |
| Project Equipment: | |
| Existing Services / Structures: | |
| Total Number of Workers: | |

DEFINITIONS

The definitions as listed in the OHS Act and Construction Regulations 84 of 7 February 2014 shall apply. Therefore, all references to the old Construction Regulations will change to the new Construction Regulations.

Client: means any person for whom construction work is being performed.

Principal Contractor: means an employer appointed by the client to perform construction work.

Contractor: means an employer who performs construction work;

Construction work: means any work in connection with,

- the construction, erection, alteration, renovation, repair, demolition or dismantling of or addition to a building or any similar structure; or
- the construction, erection, maintenance, demolition or dismantling of any bridge, dam, canal, road, railway, runway, sewer or water reticulation system; or the moving of earth, clearing of land, the making of excavation, piling, or any similar civil engineering structure or type of work;

Competent person: means a person who,

- a) has in respect of the work or task to be performed the required knowledge, training and experience and, where applicable, qualifications, specific to that work or task: Provided that where appropriate qualifications and training are registered in terms of the provisions of the National Qualification Framework Act, 2000 (Act No.67 of 2000), those qualifications and that training must be regarded as the required qualifications and training; and
- b) is familiar with the Act and with the applicable regulations made under the Act;

Designer: means

- (a) competent person who
 - i.) prepares a design;
 - ii.) checks and approves a design; or
 - iii.) arranges for any person at work under his or her control to prepare a design
 - iv.) including an employee of that person where he/she is the employer or
 - v.) designs temporary work, including its components,
- (b) an architect or engineer contributing to, or having overall responsibility for a design;
- (c) a building services engineer designing details for fixed plant;
- (d) a surveyor specifying articles or drawing up specifications;
- (e) A Contractor carrying out design work as part of a design and building project; or
- (f) an interior designer, shop-fitter or landscape architect;

Fall prevention equipment: means equipment used to prevent persons from falling from a fall risk position, including personal equipment, a body harness, lanyards, lifelines or physical equipment such as guardrails, screens, barricades, anchorages or similar equipment;

Fall arrest equipment: means equipment used to arrest a person in a fall, including personal equipment such as body harness, lanyards, deceleration devices, lifelines or similar equipment.

Hazard: means a source of or exposure to danger

Hazard identification: means the identification and documenting of existing or expected hazards to the health and safety of persons, which are normally associated with the type of construction work being executed or to be executed

Risk assessment: means the process contemplated in paragraph 10 of the specifications.

Excavation work: means the making of any man-made cavity, trench, pit or depression formed by cutting, digging or scooping;

Ergonomics: means the application of scientific information concerning humans to the design of objects, systems and the environment for human use in order to optimise human well-being and overall system performance.

APPLICABLE LEGISLATION

This document is to be read and understood in conjunction with the following, inter- alia:

- (a) Occupational Health and Safety Act 85 of 1993 (OHS Act)
- (b) National Building Regulation Act 103 of 1977
- (c) Construction Regulations, 2014
- (d) SANS codes referred to by the OHS Act.
- (e) Contract Documents
- (f) Basic Conditions of Employment Act 75 of 1997
- (g) National Environmental Management Act 107 of 1998
- (h) National Environmental Management: Waste Management Act 59 of 2008
- (i) National Water Act 36 of 1998
- (j) Compensation for Occupational Injuries and Diseases (COID) Act No. 130 of 1993
- (k) Road Traffic Act 29 of 1989
- (l) The Constitution of the Republic of South Africa Act 108 of 1996

1. APPLICATION FOR CONSTRUCTION WORK

The intended construction work falls within the scope of “construction work” as defined in the Construction Regulations, 2014 made under the Occupational Health and Safety Act 1993, as amended (“OHS Act”)

PERMIT TO WORK

Where the construction works;

- (i) Exceeds 180 days;
 - (ii) Involves more than 1800 person days of construction work; or
 - (iii) The works contract is equal to or exceeds R13 Million or Construction Industry Development Board grading level 6
- CSIR as the client, must at least 30 days prior to construction work; apply to the DoL for a construction work permit in the form of CR Annexure 1.

NOTIFICATION OF CONSTRUCTION

(Construction Regulation 4)

The Principal Contractor who intends to carry out any construction work must at least 7 days before that work is to be carried out notify the provincial director in writing in a form similar to Annexure 2 if the intended construction work will—

- (a) include excavation work;
- (b) include working at a height where there is risk of falling;
- (c) include the demolition of a structure; or
- (d) Include the use of explosives to perform construction work.

RESPONSIBILITIES

DUTIES OF CLIENT

(Construction Regulation 5)

- (1) a client must-
 - (a) prepare a baseline risk assessment for an intended construction work project;
 - (b) prepare a suitable, sufficiently documented and coherent site-specific health and safety specification for the intended construction work based on the baseline risk assessment contemplated in paragraph (a);
 - (c) provide the designer with the health and safety specification contemplated in paragraph (b);
 - (d) ensure that the designer takes the prepared health and safety specification into consideration during the design stage;
 - (e) ensure that the designer carries out all responsibilities contemplated in regulation 6;
 - (f) include the health and safety specification in the tender documents;
 - (g) ensure that potential principal contractors submitting tenders have made adequate provision for the cost of health and safety measures;
 - (h) ensure that the principal contractor to be appointed has the necessary competencies and HSE Resources to carry out the construction work safely;
 - (i) take reasonable steps to ensure co-operation between all contractors appointed by the client to enable each of those contractors to comply with these Regulations;
 - (j) ensure before any work commences on a site that every principal contractor is registered and in good standing with the compensation fund or with a licensed compensation insurer as contemplated in the Compensation for Occupational Injuries and Diseases Act, 1993 (Act No. 130 of 1993);
 - (k) appoint every principal contractor in writing for the project or part thereof on the construction site;
 - (l) discuss and negotiate with the principal contractor the contents of the principal contractor's health and safety plan contemplated in regulation 7(1), and must thereafter finally approve that plan for implementation;
 - (m) ensure that a copy of the principal contractor's health and safety plan is available on request to an employee, inspector or contractor;
 - (n) take reasonable steps to ensure that each contractor's health and safety plan contemplated in regulation 7(1)(a) is implemented and maintained;
 - (o) ensure that periodic health and safety audits and document verification are conducted at intervals mutually agreed upon between the principal contractor and any contractor, but at least once every 30 days;
 - (p) ensure that a copy of the health and safety audit report contemplated in paragraph is provided to the principal contractor within seven days after the audit;

C3.2.8 Health and Safety Specifications

- (q) stop any contractor from executing a construction activity which poses a threat to the health and safety of persons which is not in accordance with the client's health and safety specifications and the principal contractor's health and safety plan for the site;
- (r) where changes are brought about to the design or construction work, make sufficient health and safety information and appropriate HSE Resources available to the principal contractor to execute the work safely; and
- (s) Ensure that the health and safety file contemplated in regulation 7(1) (b) is kept and maintained by the principal contractor.

DUTIES OF THE PRINCIPAL CONTRACTOR AND CONTRACTOR

(Construction Regulation 7)

The Principal Contractor must:

- (a) Provide and demonstrate to the client a suitable, sufficiently documented and coherent site specific health and safety plan, based on the client's documented health and safety specifications. The plan must be applied from the date of commencement of and for the duration of the construction work and which must be reviewed and updated by the Principal Contractor as work progresses;
- (b) Open and keep on site a health and safety file, which must include all documentation required in terms of the Act and this specification, which must be made available on request to an inspector, the client, the client's agent or Contractor; and
- (c) On appointing any other Contractor, in order to ensure compliance with the provisions of the Act—
 - i.) Provide contractors who are tendering to perform construction work for the Principal Contractor, with the relevant sections of the health and safety specifications pertaining to the construction work which has to be performed;
 - ii.) Ensure that potential contractors submitting tenders have made sufficient provision for health and safety measures during the construction process;
 - iii.) Ensure that no contractor is appointed to perform construction work unless the Principal Contractor is reasonably satisfied that the contractor that he/she intends to appoint, has the necessary competencies and resources to perform the construction work safely;
 - iv.) Ensure prior to work commencing on the site that every contractor is registered and in good standing with the compensation fund or with a licensed compensation insurer as contemplated in the Compensation for Occupational Injuries and Diseases Act, 1993;
 - v.) Appoint each contractor in writing for the part of the project on the construction site;
 - vi.) Take reasonable steps to ensure that each contractor's health and safety plan is implemented and maintained on the construction site;
 - vii.) Ensure that the periodic site audits and document verification are conducted at intervals mutually agreed upon between the Contractor and Principal Contractor, but at least once every 30 days;
 - viii.) Stop any contractor from executing construction work which is not in accordance with the client's health and safety specifications and the Principal Contractor's health and safety plan or which poses a threat to the health and safety of persons;
 - ix.) Where changes are brought about to the design and construction, make available sufficient health and safety information and appropriate resources to the contractor to execute the work safely; and
 - x.) Discuss and negotiate with the contractor the contents of the health and safety plan and must thereafter finally approve that plan for implementation;
- (d) Ensure that a copy of his or her health and safety plan, as well as the contractor's health and safety plan is available on request to an employee, an Inspector, a Contractor, the Client or the Client's Agent;

C3.2.9 Health and Safety Specifications

- (e) Hand over a consolidated health and safety file to the client upon completion of the construction work and must, in addition to the documentation include a record of all drawings, designs, materials used and other similar information concerning the completed structure;
- (f) In addition to the documentation required in the health and safety file, include and make available a comprehensive and updated list of all the Contractors on site accountable to the Principal Contractor, the agreements between the parties and the type of work being done; and
- (g) Ensure that all his or her employees have a valid medical certificate of fitness specific to the construction work to be performed and issued by an occupational health practitioner in the form of Annexure 3.

The Principal Contractor must take reasonable steps to ensure co-operation between all contractors appointed by the Principal Contractor to enable each of those contractors to comply with this specification.

No contractor may allow or permit any employee or visitor to enter the site, unless that employee or visitor has undergone health and safety induction training pertaining to the hazards prevalent on the site at the time of entry and must ensure all have the necessary personal protective equipment.

The Contractor must prior to performing any construction work:

- (a) Provide and demonstrate to the Principal Contractor a suitable and sufficiently documented health and safety plan, based on the relevant sections of the client's health and safety specification. The aforementioned plan must be applied from the date of commencement of and for the duration of the construction work and which must be reviewed and updated by the contractor as work progresses;
- (b) Open and keep on site a health and safety file, which must include all documentation required in terms of the Act and this specification, and which must be made available on request to an Inspector, the Client, the Client's Agent or the Principal Contractor;
- (c) Before appointing another contractor to perform construction work, be reasonably satisfied that the contractor that he/she intends to appoint has the necessary competencies and resources to perform the construction work safely;
- (d) Co-operate with the Principal Contractor as far as is necessary ensuring all comply with the provisions of the Act; and
- (e) As far as is reasonably practicable, promptly provide the contractor with any information which might affect the health and safety of any person at work carrying out construction work on the site, any person who might be affected by the work of such a person at work, or which might justify a review of the health and safety plan.

Where the contractor appoints another contractor to perform construction work, the duties determined in **section 5** of this document applies to the contractor as if he/she were the Principal Contractor.

A Contractor must at all times keep records of the health and safety induction training and such records must be made available on request to an inspector, the client, the client's agent or the principal contractor.

A Contractor must ensure that all his or her employees have a valid medical certificate of fitness specific to the construction work to be performed and issued by an occupational health practitioner in the form of Annexure 3.

MANAGEMENT AND SUPERVISION OF CONSTRUCTION WORK

(Construction Regulation 8)

C3.2.10 Health and Safety Specifications

The Principal Contractor must in writing appoint one full-time competent person as the Construction Manager with the duty of managing all the construction work on a single site, including the duty of ensuring Occupational Health and Safety compliance, and in the absence of the Construction Manager an alternate must be appointed by the Principal Contractor.

The Principal Contractor must upon having considered the size of the project, in writing appoint one or more assistant Construction Managers for different sections thereof: Provided that the designation of any such person does not relieve the Construction Manager of any personal accountability for failing in his or her management duties in terms of this regulation.

No Construction Manager appointed under paragraph 6 above may manage any construction work on or in any construction site other than the site in respect of which he/she has been appointed.

A Contractor must, after consultation with the client and having considered the size of the project, the degree of danger likely to be encountered or the accumulation of hazards or risks on the site, appoint a full-time or part-time construction health and safety officer in writing to assist in the control of all health and safety related aspects on the site.

No Contractor may appoint a Construction Health and Safety Officer to assist in the control of health and safety related aspects on the site unless he/she is reasonably satisfied that the construction health and safety officer that he/she intends to appoint has necessary competencies and resources to assist the Principal Contractor

A Construction Manager must in writing appoint Construction Supervisors responsible for construction activities and ensuring Occupational Health and Safety compliance on the construction site.

A Contractor must, upon having considered the size of the project, in writing appoint one or more competent employees for different sections thereof to assist the Construction Supervisor contemplated in **paragraph 6** above, and every such employee has, to the extent clearly defined by the Principal Contractor in the letter of appointment, the same duties as the Construction Supervisor: Provided that the designation of any such employee does not relieve the Construction Supervisor of any personal accountability for failing in his or her supervisory duties in terms of this section in the specification.

No Construction Supervisor appointed under paragraph 6 above may supervise any construction work on or in any construction site other than the site in respect of which he/she has been appointed: Provided that if a sufficient number of competent employees have been appropriately designated on all the relevant construction sites, the appointed Construction Supervisor may supervise more than one site.

REGISTRATION WITH THE WORKMEN'S COMPENSATION OR LICENSED INSURER

The Principal Contractor(s) must ensure that CWDM is provided with a valid letter of good standing, including a registration number with the Compensation for Occupational Injury and Diseases Fund or an alternative scheme approved in writing by the Commissioner to the COID Fund, at least 10 days prior commencement of construction work. It must remain the Principal Contractor's responsibility to furnish Cape Winelands District Municipality with a valid letter of good standing or keep a copy available for perusal by a Client, Client Representatives or any other person authorised thereto.

MANDATARY AGREEMENT

A duly signed mandatory form also referred to as 'OHS Act section 37.2' must be obtained from CWDM Safety Department. It must be signed and returned to CWDM by the Principal Contractor at least 10 days prior to commencement of construction work. The Principal Contractor must ensure that all its contractors have completed a similar document and a proof of such signed documents is submitted to CWDM for reference purposes.

ASSIGNED PERSON IN TERMS OF OCCUPATIONAL HEALTH & SAFETY ACT OF 1993 & APPLICABLE REGULATIONS

A written letter of appointment must be forwarded to CWDM duly signed by responsible persons at least 3 days' prior commencement of construction work for the following duties:

The competency of each member must be provided and should include knowledge, training, experience & qualifications specific to the appointment. (where applicable)

(Further appointments could become necessary as the project progresses and as per the requirements of OHS Act 85/1993)

- (a) Person assigned duties in terms of the 16.2 appointees of the Act
- (b) Construction Manager CR8(1)
- (c) Assistant Construction Manager CR8(2) - *where applicable*
- (d) Full-time or part-time Construction Safety Officer CR8(5)
- (e) Construction Supervisor CR8(7)
- (f) Assistant Construction Supervisor CR8(8) - *where applicable*
- (g) Risk Assessor CR9(1)
- (h) Fall Protection Developer/Planner CR10(1) - *where applicable*
- (i) Temporary Works Designer CR11(1) - *where applicable*
- (j) Temporary Works Supervisor CR11(2) - *where applicable*
- (k) Excavation Supervisor CR13(1) a) - *where applicable*
- (l) Demolition Work Supervisor and Controller CR14(1) - *where applicable*
- (m) Scaffolding Supervisor CR16(1) - *where applicable*
- (n) Scaffolding Team leader CR16(1) - *where applicable*
- (o) Scaffolding Inspector CR16(1) - *where applicable*
- (p) Scaffolding Erector CR16(1) - *where applicable*
- (q) Construction Vehicles and Mobile Plant Operator CR23(1)d(i) - *where applicable*
- (r) Temporary Electrical Installations Controller CR24(c) - *where applicable*
- (s) Portable Electrical Equipment Supervisor CR24(d) - *where applicable*
- (t) Fire Equipment Inspector CR29(h) - *where applicable*
- (u) First Aider GSR3(4) -- *where applicable*
- (v) Stacking Supervisor (CR28(a)) (GSR2(a))
- (w) Gas Cutting/Welding Supervisor (GSR9(a)) - *where applicable*
- (x) Ladder Supervisor and Inspector (GSR13(a)) - *where applicable*
- (y) Lifting Machine Inspector (DMR18(7)) - *where applicable*
- (z) Lifting Tackle Inspector (DMR18(10)e) - *where applicable*
- (aa) Lifting Machine Supervisor (DMR18(11)) - *where applicable*
- (bb) Supervisor of Machinery (GMR1) - *where applicable*
- (cc) Safety Representatives (OHS Act Sec.17 - *where applicable*)
- (dd) Hazardous Chemical Substances Controller/Co-ordinator HCSR10 - *where applicable*
- (ee) Incident Investigator (GAR9(2))

HEALTH AND SAFETY DOCUMENTATION

The Principal Contractor must provide and demonstrate to CWDM a suitable, sufficiently documented and coherent site-specific health and safety plan, based on CWDM's documented health and safety specifications. The health and safety plan must include but not limited to the following during tendering process, before commencement of construction work and during construction:

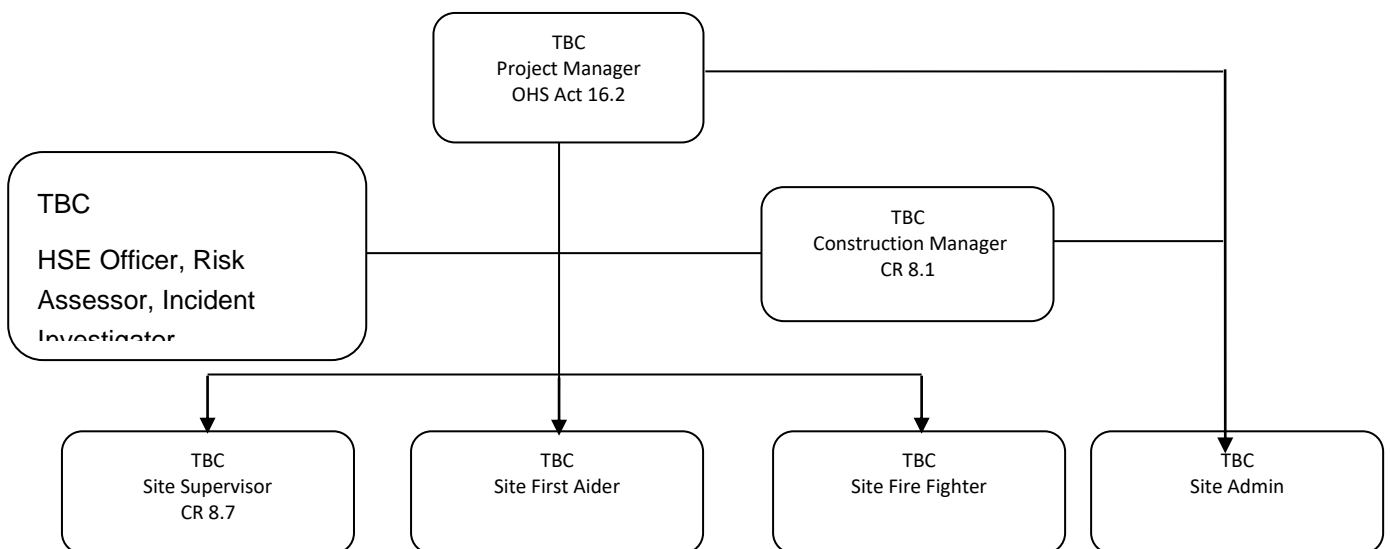
Principal Contractor's Health & Safety Policy

The Principal Contractor must provide a health & safety policy signed by the Chief Executive Officer (CEO) which outlines Principal Contractor's commitment towards health and safety

Health and Safety Organogram

The Principal Contractor must provide a health & safety organogram which outlines related appointments in terms of the OHS Act and applicable Regulations. Contact numbers should also be provided for easy reference.

Project HSE Structure Organogram



RISK ASSESSMENT

(Construction Regulation 9)

A Contractor must, before the commencement of any construction work and during such construction work, have risk assessments performed by a competent person appointed in writing, which risk assessments form part of the health and safety plan to be applied on the site, and must include—

- (a) the identification of the risks and hazards to which persons may be exposed to;
- (b) an analysis and evaluation of the risks and hazards identified based on a documented method;
- (c) a documented plan and applicable safe work procedures to mitigate, reduce or control the risks and hazards that have been identified;
- (d) a monitoring plan; and
- (e) a review plan.

A Contractor must ensure that:

- (f) as far as is reasonably practicable, ergonomic related hazards are analysed, evaluated and addressed in the risk assessment
- (g) that all employees under his or her control are informed, instructed and trained by a competent person regarding any hazard and the related work procedures and or control measures before any work commences, and thereafter at the times determined in the risk assessment monitoring and review plan of the relevant site
- (h) Principal Contractor must ensure that all Contractors are informed regarding any hazard that is stipulated in the risk assessment before any work commences, and thereafter at the times that may be determined in the risk assessment monitoring and review plan of the relevant site
- (i) consult with the health and safety committee or, if no health and safety committee exists, with a representative trade union or representative group of employees, on the monitoring and review of the risk assessments of the relevant site
- (j) copies of the risk assessments of the relevant site are available on site for inspection by an inspector, the client, the client's agent, any Principal Contractor, any employee, a representative trade union, a health and safety representative or any member of the health and safety committee
- (k) review the relevant risk assessment—
 - i. where changes are effected to the design and or construction that result in a change to the risk profile;
 - or
 - ii. when an incident has occurred.

All risk assessments are to be conducted by a competent person as appointed under the paragraph and regulation of this document. The plan must include a declaration in this regard or the risk assessment must contain the signature(s) of this appointed persons.

Risk assessments are to highlight **safety, and health and environmental risks/ hazards associated with the project activities / tasks**

SAFE WORK PROCEDURES

A Safe Work Procedure must be developed by each contractor for all construction work activities.

Cape Winelands District Municipality may also request site specific Safe Work Procedures for all work during the Project. High risk activities introduced by contractors must be documented in their HSE Plan and/or associated Safe Work Procedure.

Safe Work Method Statement requirement list:

- (a) Description of work
- (b) Sequence of operations
- (c) Controls and monitoring
- (d) Plant inspection
- (e) Operator training
- (f) List of proposed Hazardous Chemical Substances to be used with MSDS's
- (g) Safety of public, visitors, Land owners and their workers, third parties.
- (h) Environmental controls (if required)
- (i) First Aid requirements
- (j) Emergency Procedures
- (k) Prescribed PPE for the task at hand
- (l) Notification of HSE, local authority and Environmental Agencies (if required)
- (m) Permit requirements (if required)
- (n) Person responsible for risk control implementation.

- (o) Training attendance register attached to all Risk assessment
- (p) Communication and acceptance by staff

METHOD STATEMENT

Where risks are high, more detailed planning is needed to manage the hazards and control those risks. The method statement will plan out the work in a logical sequence, providing information on the controls and precautions (that you identified in the risk assessments) required at each step. For example, the risk assessment might say that supervision is required for the task. The method statement will then go into further details about who will be the supervisor, their contact details and qualifications etc.

Your method statement doesn't have to be a lengthy document, but it should contain all the information you need to communicate how to do the work safely. The information should be clear and concise. At times it can be helpful to include drawings or pictures in your method statement to explain something and reduce confusion.

The method statement shall contain information about a task or activity such as:

- (a) The specific activity the method statement is for
- (b) A description of the work
- (c) Start date and duration of the task
- (d) Hours of work
- (e) The hazards associated with the site and environment
- (f) References to other documents such as risk assessments that apply to the task
- (g) PPE requirements
- (h) Management arrangements
- (i) Monitoring arrangements
- (j) Emergency procedure

FALL PROTECTION PLAN

(Construction Regulation 1)

A Contractor must

- (a) designate a competent person to be responsible for the preparation of a fall protection plan;
- (b) ensure that the fall protection plan contemplated above is implemented, amended where and when necessary and maintained as required; and
- (c) take steps to ensure continued adherence to the fall protection plan.

The Fall Protection Plan must include

- (a) a risk assessment of all work carried out from a fall risk position and the procedures and methods used to address all the risks identified per location;
- (b) the processes for the evaluation of the employees' medical fitness necessary to work at a fall risk position and the records thereof;
- (c) a programme for the training of employees working from a fall risk position and the records thereof;
- (d) the procedure addressing the inspection, testing and maintenance of all fall protection equipment; and
- (e) a rescue plan detailing the necessary procedure, personnel and suitable equipment required to effect a rescue of a person in the event of a fall incident to ensure that the rescue procedure is implemented immediately following the incident.

A Contractor must ensure that:

- (a) **The Construction Manager** appointed under **Construction Regulation 8(1)** is in possession of the most recently updated version of the fall protection plan.
- (b) all unprotected openings in floors, edges, slabs, hatchways and stairways are adequately guarded, fenced or barricaded or that similar means are used to safeguard any person from falling through such openings;
- (c) no person is required to work in a fall risk position, unless such work is performed safely as contemplated in above;
- (d) fall prevention and fall arrest equipment are
 - (i) approved as suitable and of sufficient strength for the purpose for which they are being used, having regard to the work being carried out and the load, including any person, they are intended to bear; and
 - (ii) securely attached to a structure or plant, and the structure or plant and the means of attachment thereto are suitable and of sufficient strength and stability for the purpose of safely supporting the equipment and any person who could fall; and
- (e) fall arrest equipment is used only where it is not reasonably practicable to use fall prevention equipment

OCCUPATIONAL HEALTH & SAFETY FILE

(Construction Regulation 7)

The Occupational Health and Safety File

The Principal Contractor will keep an Occupational Health and Safety File on site containing the following documents (where applicable) as a minimum:

- Accident/Incident Register. (Annexure 1 of the General Admin Regulations)
- Health and safety Representatives Inspections Register.
- Mobile Plant Inspection.
- Mobile Plant Inspection maintenance or service history (last 3 month)
- Daily Inspection of Vehicles.
- Vehicle maintenance or service history (last 3 months)
- Demolition Inspection Register.
- Electrical Installations, Equipment & Appliances. (including Portable Electrical Tools)
- Excavations Inspection.
- Fall Protection Inspection Register.
- First Aid Box Contents.
- Fire Equipment Inspection & Maintenance.
- Hazardous Chemical Substances Record (MSDS)
- Ladder Inspections.
- Lifting Equipment Register.
- Machinery Safety Inspection Register. (incl. machine guards, lock-outs etc.)
- Scaffolding Inspections.
- Stacking & Storage Inspection.
- Inspection of Structures.
- Inspection of Pressure Equipment.
- Welding Equipment Inspections.
- Company Policies (H&S, smoking, drugs & alcohol abuse, etc.)
- Staff medical fitness tests or records
- Staff copy of ID
- Staff induction records
- Staff PPE issue records (current issue for project)

C3.2.16 Health and Safety Specifications

- Valid staff competency certificates
- Valid equipment certificates (where applicable)
- Valid Letter of good standing (COIDA)
- Valid Third-party insurance certificate
- Project specific organogram
- Risk Assessments
- Method Statements
- Safe work Procedures
- All other applicable records.

HEALTH AND SAFETY REPRESENTATIVES

The Principal Contractor must ensure that Health and Safety Representative(s) is/are elected and delegated in writing and necessary training has been provided by a competent person where there are more than 20 employees at the work place. A proof of training certificate must be provided to CWDM.

Health and Safety Representatives must conduct monthly inspections by completing a checklist developed by the Principal Contractor. Safety defects noted must be recorded and reported to the supervisor for remedial action. Health and Safety Representative Inspection findings must be made available to CWDM for reference for audits purposes.

Health and Safety Representatives and their reports must form part of the safety committee which must meet on a monthly bases.

The Principal Contractor must hold health and safety committee meetings on site. Minutes of such meetings and action taken by management must be kept on file and made available to CWDM for reference purposes. Members of the committee must receive proper training and a proof of such training must be made available.

The Committee must consider, at least, the Following Agenda:

- Opening & Welcome
- Present/ Apologies/ Absent
- Minutes of previous Meeting
- Matters Arising from the previous Minutes
- OH&S Reps Reports
- Incident Reports & Investigations
- Incident /Injury Statistics
- Other Matters
- Endorsement of Registers and other statutory documents by a representative of the Principal Contractor
- Close/Next Meeting

The Principal Contractor must ensure that CWDM Safety Department is invited to such meetings. These meetings do not substitute for Principal Contractor's Site meetings.

HEALTH & SAFETY TRAINING

Environmental, Health and Safety Induction

The Principal Contractor must conduct an induction training session prior commencement of construction work. An attendance register must be kept in the Principal Contractor's health and safety file.

Induction Conducted by the Principal Contractor and Competent Person

A manual /copy of such training must be provided to CWDM for reference purposes. As determined by the risk assessment. The Principal Contractor must ensure that all employees under his/her control are trained by a competent person and a proof of such training is kept on file for reference.

Toolbox Talks

The Principal Contractor must ensure that employees attend a formal Toolbox Talk to be held at least once a week. Toolbox Talks must cover a wide variety of topics related to health and safety. An attendance register must be completed by employees who attended such talks. The register must indicate the topic covered presenter, date and signatures of employees attended. Records for Toolbox Talks must be kept in a health and safety file and be made available to CWDM for perusal.

First Aid Training

The Principal Contractor must appoint competent First Aider(s) in writing where more than 10 employees are employed. A letter of appointment must be kept on file for reference made available to CWDM Safety. Duly designated First Aider(s) must have attended training at an accredited institution prior commencement of construction work and a proof of certificate be submitted to CWDM for reference.

The Principal Contractor must ensure that the first aid box(s) is/are controlled by qualified First Aider(s) and kept fully stocked with necessary first aid contents related to the hazards and risks identified. A first aid box(s) must be accessible and location of such box(s) is clearly displayed on site.

FIRE PREVENTION AND PROTECTION

The Principal Contractor must ensure that adequate fire equipment is provided in strategic places (that is, where there is a mobile distribution board, flammable liquids, pressure equipment, confined spaces, hot work). The Principal Contractor must ensure that such equipment is inspected by a competent person on a monthly basis and such inspections are recorded on a register. The Principal Contractor must ensure that all fire equipment is serviceable and person(s) have been properly trained on how to use the equipment. A proof of such training must be provided prior commencement of construction work.

EMERGENCY PREPAREDNESS

The Principal Contractor must provide CWDM with an emergency plan and procedure which will include, but not limited to emergencies such as fire, bomb threat, civil unrest, medical treatment, environmental incidents, accidents to employees and other persons other than their employees.

Emergency procedure must be communicated to employees and a proof of such training must be kept on file for reference. A list of emergency contact numbers must be conspicuously displayed on site for ease reference. An evacuation plan must be displayed in strategic places.

The Principal Contractor must provide CWDM Safety with a full record of any incidents which may occur on site.

INCIDENTS/ACCIDENTS REPORTING AND INVESTIGATION

The Principal Contractor must ensure that all incidents/accidents (this includes near miss, first aid cases and section 24 cases) are reported by employees immediately to the Construction Manager for further investigation and remedial action. The Principal Contractor must ensure that all OHS Act section 24 incidents/accidents are reported to the Department of Labour immediately and preliminary investigation is conducted by a competent person within seven days.

If construction work will be finished within 3 days after occurrence, an investigation must be conducted before such construction work is completed. Proof of such investigation must be submitted to CWDM immediately or within 24 hours after investigation.

All incidents are to be reported within 4 hours of the occurrence to Cape Winelands District Municipality respective representative

PERSONAL PROTECTIVE EQUIPMENT

The Principal Contractor must ensure that personal protective equipment or clothing needs analysis is conducted and incorporated into the risk assessment. Records must be provided by the Principal Contractor prior to the commencement of construction work. The Principal Contractor must ensure that personal protective equipment or clothing is provided to personnel. The Principal Contractor must ensure that no personnel are allowed to work on site without necessary personal protective equipment or clothing. The Principal Contractor must ensure that PPE is kept in good working order and clearly stipulate procedures to be followed when PPE is lost or stolen, worn or damaged. CWDM will remove any person from the construction site who is working without necessary personal protective equipment and/or clothing.

The following minimum PPE shall be used at all times;

- Reflector vests
- Dust Masks (where applicable)
- Safety Glasses
- Steel toe safety boots
- Overall

All staff shall be trained on the use and limitations of PPE before commencement of the project

FALL PROTECTION (WORKING IN ELEVATED POSITIONS)

(Construction Regulation 10)

A pre-emptive Risk Assessment will be required for any work to be carried out above two metres from the ground or any floor level and will be classified as "Work in Elevated Positions".

As far as is practicable, any person working in an elevated position will work from a platform, ladder or other device that is at least as safe as if he/she is working at ground level and whilst working in this position be wearing and using a full body harness that will be worn to prevent the person falling from the platform, ladder or other device utilised.

This safety harness will be, as far as is possible, secured to a point away from the edge over which the person might fall and the double lanyard must be of such a length that the person will not be able to move over the edge.

In addition any platform, slab, deck or surface forming an edge over which a person may fall must be fitted with guard rails at two different heights as prescribed in SABS 085' Code of Practice for the Design, **Erection, Use and Inspection of Access Scaffolding**

Workers working in elevated positions must be trained to do this safely and without risk. Proof of training must be maintained on the contractors site safety file. Medical certificates of fitness for all employees working in elevated positions must be available on site. This must be issued by an Occupational Health Practitioner.

Where work on roofs are carried out, the Risk Assessment must take into account the possibility of persons falling through fragile material, skylights, soffits and openings in the roof, steel support work trusses and purlins so designed as to support the roof structure.

Working overhead

Articles falling from heights can cause serious injuries. Employees working overhead shall ensure that materials and tools are properly secured to prevent articles falling.

“Men Working Above” signs shall be displayed in the appropriate places.

Where there is danger of falling material, fence off the area in danger and erect safety signage warning of “Falling Objects”.

Material shall not be thrown from aloft but shall be lowered in a safe manner - use a securely fixed rope to lower it.

Roofing and cladding work

Safe access must be provided for gaining access on to the roofs. The Contractor must provide ladders, scaffolds or a man cage, cherry picker or scissor lift for this purpose.

A life-line, consisting of a steel wire rope, the diameter calculated to suit the span and the number of persons attached to it, is to be erected on the ridge of the structure, using a safety block/ self-retracting life retracting life line (To be erected and placed on register and checked daily by a competent person).

No work will be permitted during rain or when wind speeds exceed 30 Km/h. - This is only a guide it will also depend on risk assessment and working conditions.

The responsible person will enforce this with the delegated authority on Site.

Bundles of roof sheeting stacked on the roof must conform to the following:

- Only sufficient bundles to be stacked on the roof to meet immediate needs. Other bundles to remain stacked on the ground until required. Method statement to be provided.
- Bundles of sheeting to be secured by means of 20mm steel strapping applied with a strapping tool.
- Securely tied to the rafters so as to prevent sheets being blown from the roof during high winds.
- No material may be stored on the roof over weekends and holiday breaks

Edge protection

The Principal Contractor must ensure that all exposed edges and floor openings are guarded and demarcated at all times until permanent protection has been erected. Guardrails used for edge protection must be 500mm and 900mm apart (double railing) above the platform/ floor surface.

The Principal Contractors fall protection plan must include the procedure to be followed regarding the management of edge protection and penetration.

RISK ASSESSMENT FOR CONSTRUCTION WORK
(Construction Regulation 9)

Every Contractor performing Construction work shall, before the commencement of any construction work and during such work, have a Risk Assessment performed by a competent person, appointed in writing, and the Risk Assessment shall form part of the OH&S Plan.

Each activity must define individual tasks associated with that identified activity. These and all associated hazards must be identified and listed in the risk assessment. This ensures that critical tasks and associated hazards are not missed.

The Risk Assessment must include:

- The identification of the risks and hazards to which persons may be exposed to
- The analysis and evaluation of the risks and hazards identified
- A documented plan and applicable safe work procedures (SWP) to mitigate, reduce or control the risks and hazards that have been identified
- A monitoring plan and
- A review plan

A Contractor must ensure that:

- As far as is reasonably practicable ergonomic related hazards are analysed, evaluated and addressed.
- All employees under his/her control are informed, instructed and trained by a competent person regarding any hazards
- A Principal Contractor must ensure all Contractors are informed regarding any hazard as stipulated in the risk assessment before any work commences.
- Consult with health and safety committee on monitoring and review risk assessment on site.
- Ensure a copy of risk assessments is available for inspection.
- Review relevant risk assessments where changes are affected to the design or construction that result in a change to the risk profile or when an incident occurred.

N.B. A risk assessment will be performed for all unplanned work and submitted to CWDM for approval prior to work commencing.

STRUCTURES

(Construction Regulation 11)

The Contractor will ensure that in terms of Construction Regulation 11 the following is adhered to:

- That the structure on/in which works are to be performed has been inspected by a certified structural engineer declaring the structure to be safe for construction/demolition/renovations work processes.
- Steps are taken to ensure that no structure becomes unstable or poses a threat of collapse due to demolition and construction work being performed on it, or in the vicinity of it.
- No structure is overloaded to the extent where it becomes unsafe; if uncertainty arises then the structural engineer is to be consulted.
- He/she has received from the designer the following information:
- Information on known or anticipated hazards relating to the construction/demolition work and the relevant information required for the safe execution of the construction/demolition work.
- A geo-scientific report (where applicable).
- The loading the structure is designed to bear.
- The methods and sequence of the construction/demolition process.
- All drawings pertaining to the design are on site and available for inspection.

The structural engineer shall carry out inspections at appropriate and sufficient intervals with visual evidence (before, during and after) of the construction work involving the design of the relevant structure to ensure compliance with the design and record the results of these inspections in writing.

TEMPORARY WORK

(Construction Regulation 12)

Temporary work must be carried out under the supervision of a competent person designated in writing. Temporary works structures must be so designed, erected, supported, braced and maintained such that it will be able to support any vertical or lateral loads that may be applied.

No load is to be imposed onto the structure that the structure is not designed to carry. Temporary works must be erected in accordance with the structural design drawings for that temporary works and, if there is any uncertainty, the designer must be consulted before proceeding with the erection/use of the temporary works.

All design drawings pertaining to the temporary works must be kept available on site. All equipment used in the erection of temporary works must be checked by a competent person before use.

The foundation or base upon which temporary works is erected must be able to bear the weight and keep the structure stable.

Employees erecting temporary works must be trained in the safe work procedures for the erection, moving and dismantling of temporary works.

Safe access/egress (and emergency escape) must be provided for workers.

A competent person must inspect temporary works structures that have been erected before, during and after pouring of concrete or the placing of any other load and thereafter daily until the temporary works is stripped.

The results of all inspections must be recorded in a register kept on site.

The temporary works must be left in place until the concrete has reached sufficient strength to bear its own weight plus any additional weight that may be imposed upon it and not until the designated competent person has authorised its stripping in writing.

Any damaged temporary works must be repaired/rectified immediately Deck panels must be secured against displacement.

The contractor must ensure that no employee is exposed, or required to work on slippery and dangerous surfaces.

Person's health must be protected when use is made of solvents, oils or other similar substances.

Ensuring that the OEL (Occupational Exposure Limit) for any substances that they may be exposed to does not exceed the legal limits and that the necessary PPE is used.

EXCAVATIONS

(Construction Regulation 13)

The Principal Contractor must ensure excavation work is conducted under supervision of a competent person who has been appointed in writing. A letter of appointment must be provided to CWDM Safety prior commencement of work. A risk assessment outlining safe work procedures to be adhered to if excavation is more than 1.0m deep must be provided to CWDM prior commencement of work. The Principal Contractor must ensure that no person works in an excavation which is not adequately braced or shored.

The Principal Contractor must ensure that every excavation including bracing and shoring are inspected daily prior each shift starts and such records are kept on site for reference.

The Principal Contractor must ensure that all precautionary measure as stipulated for confined spaces as stated in the General Safety Regulation of OHS Act 85/1993 are complied with when entering any excavation. The Principal Contractor must ensure that warning signs are conspicuously displayed where excavation work involves the use of explosives and a method statement developed by a competent person is provided to CWDM prior commencement.

The Principal Contractor must ensure that safe and convenient means of access is provided to every excavation when required. Such access must not be further than 6m from the point where any worker within the excavation is working.

The Principal Contractor must communicate, train and enforce safe work procedures pertaining to excavation work to his/her employees.

No material/equipment/vehicle to be within 3m of the excavation edges.

All excavations must be on register and inspected daily before work commences & after inclement weather by the contractors appointed competent person, declared safe and his findings noted in the said register. All excavation must be barricaded and display the required danger sign.

DEMOLITION WORK

(Construction Regulation 13)

The Principal Contractor must ensure that a detailed structural engineering survey is conducted by a competent person and a method statement on the procedure to be followed is provided to CWDM Safety. The Principal Contractor must ensure that demolition work is conducted under the supervision of a competent person appointed in writing.

The Principal Contractor must ensure that safety precautionary measures stipulated in Asbestos Regulations is adhered to if demolition work involves asbestos material and that asbestos work is conducted under the supervision of a registered Asbestos Principal Contractor.

SCAFFOLDING

(Construction Regulation 16)

Access Scaffolding must be erected, used and maintained safely in accordance with Construction Regulation 16 and SA Bureau of Standards Code of Practice, SANS 10085/1 entitled, "The Design, Erection, and Use & Inspection of Access Scaffolding.

C3.2.23 Health and Safety Specifications

Detailed consideration must be given to all scaffolding to ensure that it is properly planned to meet the working requirements, designed to carry the necessary loadings and maintained in a sound condition. It must also be ensured that there is sufficient material available to erect the scaffolding properly.

For example:

- Guard rails and toe boards shall be provided on all outer edges of all scaffolding where a person or an object is working in an elevated position.
- Ladders to be staggered every 2m inside scaffold frame with safe landing platform and a trap door fitted on the working platform.

Scaffolding may only be erected, altered or dismantled by a person who has the appropriate training and experience in this type of work or under the supervision of such a person

Specific attention must be given to the appointment of Scaffolding Inspectors and Scaffolding Erectors who shall not be the same person. The continuous inspection of scaffolding structures must be recorded on the applicable Scaffold register.

Tagging/Signs reflecting the status of the scaffold must be used and fixed to the structure at all times. (Safe to use / Scaffold not Safe)

On completion of the erection, the Supplier will inspect the structure and will ensure it is in sound working order and complies with all statutory regulations. The Supplier will then issue a Handover Certificate,

Drawings, design and specifications shall be signed by a registered professional engineer.

An inspection of the completed scaffold shall also be inspected by the registered professional engineer for approval prior to use. Should any additional load i.e. a hoist or be added to the scaffold at a later stage, the professional engineer must approve the modification.

CRANES

(Construction Regulation 22)

A Crane permit must be obtained from CWDM and submitted before erection of crane.

A contractor must, in addition to compliance with the Driven Machinery Regulations, 1988 ensure that where tower cranes are used—

- (a) they are designed and erected under the supervision of a competent person;
- (b) a relevant risk assessment and method statement are developed and applied;
- (c) the effects of wind forces on the crane are taken into consideration and that a wind speed device is fitted that provides the operator with an audible warning when the wind speed exceeds the design engineer's specification;
- (d) the bases for the tower cranes and tracks for rail-mounted tower cranes are firm, level and secured;
- (e) the mobile crane operators are competent to carry out the work safely; and
- (f) the mobile crane operators have a medical certificate of fitness to work in such an environment, issued by an occupational health practitioner in the form of Annexure 3.

Mobile or truck mounted crane near power lines

No mobile cranes are to be used near overhead power lines until the relevant Cape Winelands District Municipality representative has been notified and provided safe access conditions.

Mobile cranes shall be effectively earthed when working in the vicinity of electrical wires. Assume that all electrical equipment and wires are live and avoid them.

Crane requirements

The following shall apply to any mobile crane used on site, including truck mounted cranes on delivery vehicles:

- Lifts in excess of 2 tons will only be conducted by a Qualified and appointed Rigger.
- Lifts less than 2 tons may be conducted by a person with a Basic Rigging and slinging certificate.
- All lifts in excess of 5 tons shall only be conducted after a detailed lift plan have been developed with a safe work method statement and risk assessment.
- All lift plans are subject to CWDM approval.
- Each crane shall have (in the cab or operating area), the following legal documents on site at all times:
 - (a) The latest and up-to-date load certificate of the crane;
 - (b) A record of the 6-monthly inspection of the crane by a registered inspector;
 - (c) The crane operator(s) current crane license;
 - (d) The crane operator(s) medical certificate of fitness issued by an occupational medical practitioner;
 - (e) The inspection registers or certification of 3-monthly inspection of all lifting equipment used with the crane;
 - (f) All Lifting gear will be colour coded on a quarterly basis and recorded on register,
- Where applicable, the method statement for the erection, maintenance, inspections and dismantling of the crane shall include a detailed lifting plan.
- The method statement for safe use of the crane, shall include the method of communication, the protection of fall zones and the method of determining whether the weather permits safe crane work.
- Any fixed crane's load test certificates shall be included in the HSE file.
- All lifting equipment and gear used on site shall be identified, SWL-indicated and listed in a register contained in the HSE file.
- A template inspection register of the lifting gear shall be included in the HSE Plan.
- That all lifting machines are load tested and inspected as required in Driven Machinery Regulation 18 and that the records thereof are either with the machine or in the contractor's HSE file.

LIFTING EQUIPMENT, TACKLE, MATERIAL HOIST AND CRANES

The Principal Contractor must ensure that all lifting equipment and tackle are inspected before use and a monthly register is completed by a competent person. Proof of such inspections must be recorded and kept on file for reference. The Principal Contractor must ensure that a safe working load is conspicuously displayed on lifting equipment and tackle and service certificate is provided prior commencement of work. The Principal Contractor must ensure operators are properly trained on how to operate the above mentioned equipment and a proof of competency is provided prior commencement of work.

The Principal Contractor must provide information on procedures to be followed in the case of:

- (a) Malfunctioning of equipment; and
- (b) Discovery of a suspected defect in the equipment

The Principal Contractor must ensure that safety measures stipulated in Driven Machinery Regulation and Construction Regulation with regard to below mentioned equipment are adhered to at all times.

C3.2.25 Health and Safety Specifications

- Where man-lift equipment is used, the principal contractor shall ensure compliance with Driven Machinery Regulation 18 and that competent persons are appointed in writing to ensure:
- That all scissors lifts, cherry pickers, forklift with man-cages or any other lifting machine used to lift personnel are used only by a trained and competent operator in possession of a competency certificate issued by and accredited provider who holds a valid accreditation issued by an authorised body, in terms of the SAQA Act, and who is approved by the Chief Inspector, in terms the Driven Machinery Regulation 18.
- That all lifting machines are load tested and inspected as required in Driven Machinery Regulation 18 and that the records thereof are either with the machine or in the principal contractor's HSE file

CONSTRUCTION VEHICLES & MOBILE PLANT

(Construction Regulation 13)

Construction Vehicles and Mobile Plant may be inspected by CWDM prior to being allowed on a project site and suppliers of hired vehicles, plant and equipment will be required to comply with this specification as well as the OHS Act and Regulations.

Construction Vehicles and Mobile Plant to be:

- of acceptable design and construction
- maintained in good working order
- used in accordance with their design and intention for which they were designed
- Operated/driven by trained, licensed competent and authorised operators/drivers. No unauthorised persons to be allowed to drive or operate Construction Vehicles and Mobile Plant.
- Operators and drivers of Construction Vehicles and Mobile Plant must be in possession of a valid medical certificate declaring the operator/driver physically and psychologically fit to operate or drive Construction Vehicles and Mobile Plant.
- fitted with adequate signalling devices to make movement safe including reversing
- excavations and other openings must be provided with sufficient barriers to prevent Construction Vehicles and Mobile Plant from falling into same
- Provided with roll-over protection, appropriate seat fitted which shall be used during Construction Vehicles and Mobile Plant operations.
- inspected daily before start-up by the driver/operator/user and the findings recorded in a register/log book
- Construction Vehicles and Mobile Plant to be fitted with two head and two taillights whilst operating under poor visibility conditions, in addition they shall be equipped with 'hazard warning' lights, which must be used whenever the Construction Vehicles and Mobile Plant is on site.
- No loose tools, material etc. is allowed in the driver/operators compartment/cabin nor in the compartment in which any other persons are transported
- Construction Vehicles and Mobile Plant used for transporting persons must have seats firmly secured and sufficient for the number of persons being transported
- Operators to be issued with Personal Protective Equipment as required and identified by the Risk Assessments
- Only licensed and road worthy vehicles will be allowed on the public roads

No person may ride on a Construction Vehicles and Mobile Plant except in a safe place provided by the manufacturer for this purpose

The construction site must be organized to facilitate the movement of Construction Vehicles and Mobile Plant so that pedestrians and other vehicles are not endangered. Traffic routes are to be suitable, sufficient in number and adequately demarcated

Construction Vehicles and Mobile Plant left unattended after hours adjacent to roads and areas where there is traffic movement must be fitted with lights reflectors or barricades to prevent moving traffic coming into contact with the parked Construction Vehicles and Mobile Plant.

In addition, Construction Vehicles and Mobile Plant left unattended after hours must be parked with all buckets, booms etc. fully lowered, the emergency brakes engaged and, where necessary, the wheels chocked, the transmission in neutral and the motor switched off and the ignition key removed and stored safely

Workers employed adjacent to, or on public roads must wear reflective safety vests

All Construction Vehicles and Mobile Plant inspection records must be kept in the OH&S File.

ELECTRICAL INSTALLATIONS AND MACHINERY ON CONSTRUCTION SITES

(Construction Regulation 24)

The Principal Contractor must, in addition to compliance with the Electrical Installation Regulations, 2009, and the Electrical Machinery Regulations, 1988, promulgated by Government Notice No. R. 1593 of 12 August 1988, ensure that—

- (a) before construction commences and during the progress thereof, adequate steps are taken to ascertain the presence of and guard against danger to workers from any electrical cable or apparatus which is under, over or on the site;
- (b) all parts of electrical installations and machinery are of adequate strength to withstand the working conditions on construction sites;
- (c) the control of all temporary electrical installations on the construction site is designated to a competent person who has been appointed in writing for that purpose;
- (d) all temporary electrical installations used by the contractor are inspected at least once a week by a competent person and the inspection findings are recorded in a register kept on the construction site; and
- (e) all electrical machinery is inspected by the authorized operator or user on a daily basis using a relevant checklist prior to use and the inspection findings are recorded in a register kept on the construction site.

The Principal Contractor must ensure that prior notice is given to CWDM Maintenance Department of any work involving electrical installation. The Principal Contractor must ensure that a lock-out procedure is adhered to by his/her employees whenever required. The Principal Contractor must ensure that safety measures stipulated in the Electrical Installation Regulations, Machinery Regulations, General Machinery Regulations and Construction Regulations are adhered to at all times.

All electrical installations (new, temporary, alterations) shall be inspected and approved by competent person that is registered to provide a Certificate of Compliance (CoC)

USE AND TEMPORARY STORAGE OF FLAMMABLE LIQUIDS ON CONSTRUCTION SITES

(Construction Regulation 25)

The Principal Contractor to ensure that:

- No person is required or permitted to work in a place where there is the danger of fire or an explosion due to flammable vapours being present.
- No flammable substance is used or applied e.g. in spray painting, unless in a room or cabinet or other enclosure specially designed and constructed for that purpose, unless due to imposed controls that the ventilation provided is sufficient to ensure that the Lower Explosive Limit and Lower Fire Limit are not exceeded. Furthermore that the risk assessments are reviewed to ensure that all the related hazards have been addressed and that adequate P.P.E. is provided.

C3.2.27 Health and Safety Specifications

- The workplace is effectively ventilated. Where this cannot be achieved:
- Employees must wear suitable respiratory equipment
- No smoking or other sources of ignition is allowed into the area
- The area is conspicuously demarcated as "flammable materials"
- Flammables stored on a construction site are stored in a well-ventilated, reasonably fire-resistant container approved by the local Fire Department, cage or room that is kept locked with access control measures in place and sufficient firefighting equipment installed and fire prevention methods practised e.g. proper housekeeping
- Flammables stored in a permanent flammables store are stored so that no fire or explosion is caused i.e.: stored in a locked well-ventilated reasonably fire resistant container, cage or room conspicuously demarcated as "Flammable Store -No Smoking or Naked Lights"
- Adequate and suitable firefighting equipment installed around the flammables store and marked with the prescribed signs
- All electrical switches and fittings to be of a flameproof design, or where necessary, intrinsically safe.
- Any work done with tools in a flammables store or work areas to be of a non-sparking nature
- No Class A combustibles such as paper, cardboard, wood, plastic, straw etc. to be stored together with Flammables
- The flammable store to be designed and constructed so that in the event of spillage of liquids in the store, it will contain the full quantity + 10% of the amount liquid stored.
- Where the use of Bulk Storage facilities is contemplated, the contractor must ensure compliance to the local Authority bylaws.
- A sign indicating the capacity of the store to be displayed on the door
- Containers (including empty containers) to be kept closed to prevent fumes/vapours from escaping and accumulating in low lying areas
- Metal containers to be bonded to earth whilst decanting to prevent build-up of static electricity
- Welding and other flammable gases to be stored and segregated as to type of gas and empty and full cylinders
- All permanently installed storage facilities to comply with SANS 10089.

Principle Contractor shall ensure:

The safe use, storage, emergency procedures and safe disposal of hazardous substance. Material Safety Data Sheets (MSDS) shall be supplied with all hazardous materials.

Principal Contractor for recording on the site HCS Register.

Flammable substances must be:

Clearly labelled and stored in suitably sealed containers

When substances are transferred/decanted to a second container, the second container will be clearly labelled with the name and safety risk (e.g. flammable, toxic etc.)

Decanted in bunded areas or drip tray's

Neutralised, contained and suitably disposed of if spilt (if safe to do so). A general emergency spill kit is located at each site office

Emergency Procedures in case of Larger Spills

| OBJECTIVES | PROCEDURE | REQUIREMENTS |
|--|--|--|
| Isolate the spillage to minimise danger to workers | <ul style="list-style-type: none"> Erect a barricade around the spillage. Evacuate the area if there is danger of fire or fumes. Notify the fire team. Treat affected person/s. | <ul style="list-style-type: none"> Warning notices, e.g. flammable liquids. Ropes or chevron tape to barricade the spillage. PPE to protect persons erecting the barricade. Assistance from security to secure barricades and keeps people away. Fire Team. |
| Confined Spillage | <ul style="list-style-type: none"> Isolate the spillage Prevent or minimise the entry of chemicals into the storm water system or sewage system | <ul style="list-style-type: none"> Shovels Sand or stone dust. PPE |
| Clean up spillage | <ul style="list-style-type: none"> If the spillage is a fluid, pump the spillage into a suitable container for disposal. If the spillage is a solid, sweep it up and shovel it into a suitable container for disposal. | <ul style="list-style-type: none"> Pumps Labour Suitable container PPE |
| Disposal | <ul style="list-style-type: none"> Refer to the MSDS or the suppliers | <ul style="list-style-type: none"> Refer to the MSDS or the suppliers. |
| Neutralise any material that cannot be cleaned up | <ul style="list-style-type: none"> Treat spillage with a suitable neutralising agent; refer to MSDS or supplier | <ul style="list-style-type: none"> A supply of a suitable neutralising agent in ready-to-use form. PPE A suitable means of testing whether neutralisation has been effective. |

HOUSEKEEPING AND GENERAL SAFEGUARDING ON CONSTRUCTION SITES

(Construction Regulation 27)

The Principal Contractor must ensure that suitable housekeeping is continuously implemented on each construction site, including—

- the proper storage of materials and equipment;
- the removal of scrap, waste and debris at appropriate intervals;
- ensuring that materials required for use, are not placed on the site so as to obstruct means of access to and egress from workplaces and passageways;
- ensuring that materials which are no longer required for use, do not accumulate on and are removed from the site at appropriate intervals;
- ensuring that construction sites in built-up areas adjacent to a public way are suitably and sufficiently fenced off and provided with controlled access points to prevent the entry of unauthorized persons; and

- (f) ensuring that a catch platform or net is erected above an entrance or passageway or above a place where persons work or pass under, or fencing off the danger area if work is being performed above such entrance, passageway, or place so as to ensure that all persons are kept safe in the case of danger or possibility of persons being struck by falling objects.

The Principal Contractor must ensure that safety precautionary measures stipulated in Environmental Regulations for Workplaces and Construction Regulations and Construction Environmental Specification are adhered to at all times.

STACKING AND STORAGE ON CONSTRUCTION SITES

(Construction Regulation 28)

The Principal Contractor must ensure contractor must ensure that:

- (a) a competent person is appointed in writing with the duty of supervising all stacking and storage on a construction site;
- (b) adequate storage areas are provided;
- (c) there are demarcated storage areas; and
- (d) storage areas are kept neat and under control a competent person is appointed in writing with a duty of supervising all stacking and storage on a construction work or site. A proof of such appointment must be provided prior commencement of construction work. The Principal Contractor must ensure that stacking is conducted under supervision and good housekeeping is maintained at all times.

FIRE PRECAUTIONS ON CONSTRUCTION SITES

(Construction Regulation 29)

The Principal Contractor must ensure that:

- (a) all appropriate measures are taken to avoid the risk of fire;
- (b) sufficient and suitable storage is provided for flammable liquids, solids and gases;
- (c) smoking is prohibited and notices in this regard are prominently displayed in all places containing readily combustible or flammable materials;
- (d) in confined spaces and other places in which flammable gases, vapours or dust can cause danger—
 - (i) only suitably protected electrical installations and equipment, including portable lights, are used;
 - (ii) there are no flames or similar means of ignition;
 - (iii) there are conspicuous notices prohibiting smoking;
 - (iv) oily rags, waste and other substances liable to ignite are without delay removed to a safe place; and
 - (v) adequate ventilation is provided;
- (e) combustible materials do not accumulate on the construction site;
- (f) welding, flame cutting and other hot work are done only after appropriate precautions have been taken to reduce the risk of fire;
- (g) suitable and sufficient fire-extinguishing equipment is placed at strategic locations or as may be recommended by the Fire Chief or local authority concerned, and that such equipment is maintained in a good working order;
- (h) the fire equipment contemplated in paragraph (g) is inspected by a competent person, who has been appointed in writing for that purpose, in the manner indicated by the manufacturer thereof;
- (i) a sufficient number of workers are trained in the use of fire-extinguishing equipment;
- (j) where appropriate, suitable visual signs are provided to clearly indicate the escape routes in the case of a fire;
- (k) the means of escape is kept clear at all times;
- (l) there is an effective evacuation plan providing for all—
 - (i) persons to be evacuated speedily without panic;
 - (ii) persons to be accounted for; and
 - (iii) plant and processes to be shut down; and

(m) a siren is installed and sounded in the event of a fire.

C3.2.30 Health and Safety Specifications

Good housekeeping plays a major role in fire prevention.

- All contractors shall every second week arrange a group effort and perform a site wide clean-up operation.
- All flammable and combustible material must be removed daily.
- The minimum amount of flammable liquids (petrol, thinners, paint, oils, greases, etc.) must be brought on to Site and stored securely.
- All required safety signs must be posted if any work is carried out with any flammable, combustible materials i.e. No smoking! No naked flames and no unauthorized entry.
- Supervisors to do constant and regular inspections to ensure adherence of procedures.
- Ensure that fire risk is assessed in all Issue Based Risk Assessments.

CONSTRUCTION EMPLOYEES' FACILITIES

(Construction Regulation 30)

A Contractor must provide at or within reasonable access of every construction site, the following clean, hygienic and maintained facilities:

- (a) Shower facilities after consultation with the employees or employees' representatives, or at least one shower facility for every 15 persons;
- (b) at least one sanitary facility for each sex and for every 30 workers;
- (c) changing facilities for each sex; and
- (d) sheltered eating areas.

A Contractor must provide reasonable and suitable living accommodation for the workers at construction sites who are far removed from their homes and where adequate transportation between the site and their homes, or other suitable living accommodation, is not available.

LADDERS

The Principal Contractor must ensure that all ladders are numbered, inspected before use and monthly inspections are recorded in a register. The Principal Contractor must ensure that a competent person who carries the above inspections is appointed in writing.

PRESSURE EQUIPMENT

The Principal Contractor must ensure that pressure equipment is identified, numbered and entered in a register. Furthermore he/she must ensure that inspections are carried out and certificates of testing are available and kept on file as per the Regulations.

PUBLIC SAFETY AND SECURITY

The Principal Contractor must ensure that notices and signs are conspicuously displayed at the entrance and along the perimeter fence indicating "No Unauthorized Entry", "Visitors to report to office", "helmet and safety shoes" etc.

Health and safety signage must be well maintained throughout the project. This must entail cleaning, inspection and replacement of missing or damaged signage.

Furthermore the Principal Contractor must ensure that:

- a) Nets, canopies, fans etc. are provided to protect the public passing or entering the site
- b) A security guard is provided where necessary and provided with a way of communication and an access control measures or register is in place
- c) All visitors to a construction site undergo health and safety induction pertaining to the hazards prevalent on the site.

NIGHT WORK

The Principal Contractor must ensure that necessary arrangements have been made with CWDM before conducting any night work and that there is adequate lighting for any work to be conducted and failure to do so will result in work being stopped.

Requirements for night work shall be:

- Written authorisation from CWDM, Client and affected Land Owners.
- Approved Method Statement and Risk Assessment.
- Approved Fatigue management plan.
- Sufficient supervisory staff from CWDM and contractor.
- Sufficient portable lights.
- Sufficient Welfare facilities.
- Sufficient transport for the staff
- Notification to DOL

HIRED PLANT AND MACHINERY

The Principal Contractor must ensure that any hired plant and/or machinery brought to site is inspected by a competent person before use and records confirming that it is safe for use are provided prior usage of such equipment. Such plant or machinery complies at all times with the requirements of the Occupational Health & Safety Act.

The Principal Contractor must ensure that hired operators receive induction prior commencement of work and that said hired operators have proof of competency.

The Principal Contractor must provide information on procedures to be followed in the case of:

- (a) Malfunctioning of equipment; and
- (b) Discovery of a suspected defect in the equipment

ROAD CONSTRUCTION WORK

The Principal Contractor must ensure that construction work conducted on the public road all necessary caution signage, cones, flag man etc. are provided

The caution signage to be conspicuously displayed to warn the drivers of any construction work ahead must be provided at least at 75 m away from the cones; flag man; actual construction work etc.

TRAFFIC MANAGEMENT PLAN

Contractors to develop and implement Traffic Management Plan to reduce traffic congestion and motor vehicle accidents.

Vehicle safety extends to traveling to and from site. Contractors must:

- All drivers will be in a possession of a valid PDP for transportation of passengers and goods.
- Employees shall not be transported to and onto site in the back of LDV's or on trucks, only in approved construction vehicles, taxis or busses.
- Be vigilant for wildlife at dawn, dusk, after a dry spell, during fog (refer to safety alerts)
- Respect other road users. Reduce speed when faced with oncoming traffic, especially on narrow roads, without line delineation or when approaching heavy vehicles.
- Reduce speed when faced with wet conditions, poor road surface conditions such as loose surface material or where pot holes are apparent (report poor road surface to the Principal Contractor)
- No employees will be allowed to be transported on the back of any vehicles that is not designed by the vehicle manufacturer for that intended purpose.
- Passengers, goods, tools and equipment shall not be transported together in the back of vehicles.
- Drivers and operators will be appropriately licenced or have proof of competency.
- Always follow instructions by flagman controlling traffic

LIQUOR, DRUGS, DANGEROUS WEAPONS, FIREARMS

The Principal Contractor must ensure that no person is allowed on site that appears to be under the influence of intoxicating liquor or drugs.

The Principal Contractor must encourage his/her workforce to disclose the medication that poses a health and safety threat towards his/her fellow employees. No person must be allowed to enter the site and work if the side effects of such medication do constitute a threat to the health or safety of the person concerned or others at such workplace.

No dangerous weapons or firearms allowed on the construction site.

INTERNAL/EXTERNAL AUDITS

The Principal Contractor must conduct monthly safety, health and environment audits and such records must be kept on site. The Principal Contractor must ensure that corrective measures are taken to ensure compliance.

CWDM must conduct monthly audits and defects noted must be reported to the relevant Principal Contractor for remedial action. Inspections must be conducted by CWDM and non-conformances noted must be recorded and provided to the relevant Principal Contractor for remedial action.

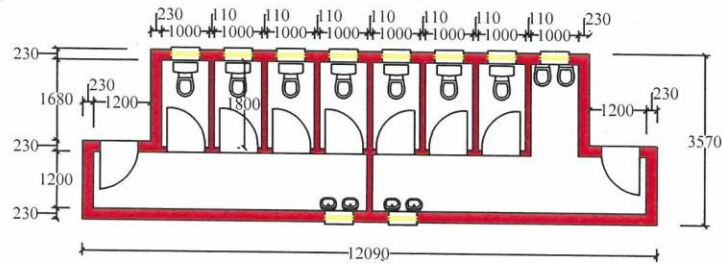
The Principal Contractor must ensure that all necessary documents stipulated in this document are kept on the health and safety file and made available when requested.

WORK STOPPAGE

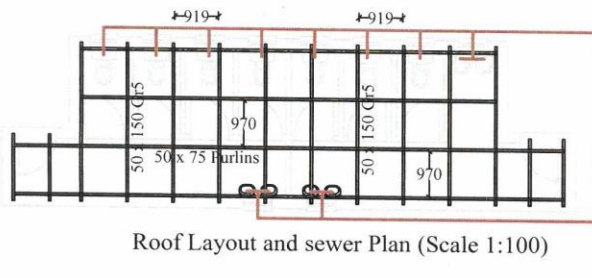
In the event of a work stoppage, based on HSE deficiencies, CWDM Representative will instruct the Principal Contractor to immediately remove the workforce from the work area and correct the HSE deficiencies by allowing only the people in the area that are competent to make the area safe.

The Principal Contractor shall ensure no other work is being performed during this time. Should the estimated time from the outset to make the area safe be longer than four hours or where life threatening/imminent danger situations exist, then the area will be barricaded off and a sign placed with the wording "**Unsafe Area — Authorized Access Only**".

Before the workforce is allowed back in the area, the Principal Contractor shall ensure the area is inspected by CWDM HSE officer, and / or CWDM representative. The corrective actions taken shall be evaluated. The Principal Contractor shall wait until CWDM HSE officer, and / or CWDM Representative declares the area safe for work..

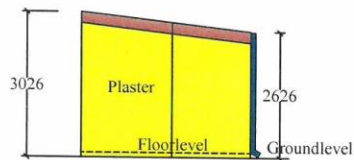


Layout Plan (Scale 1:100)

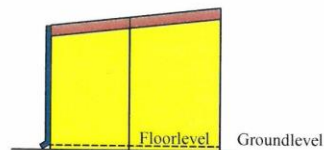


Roof Layout and sewer Plan (Scale 1:100)

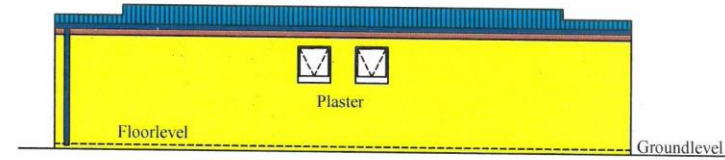
Connect at existing line



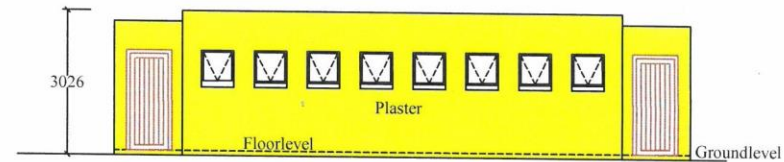
East Elevation (Scale 1:100)



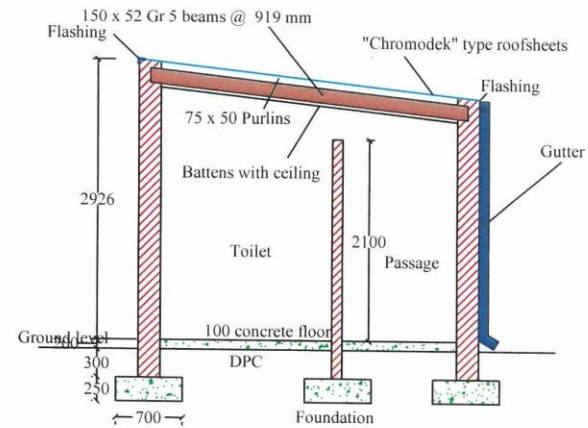
West Elevation (Scale 1:100)



North Elevation (Scale 1:100)

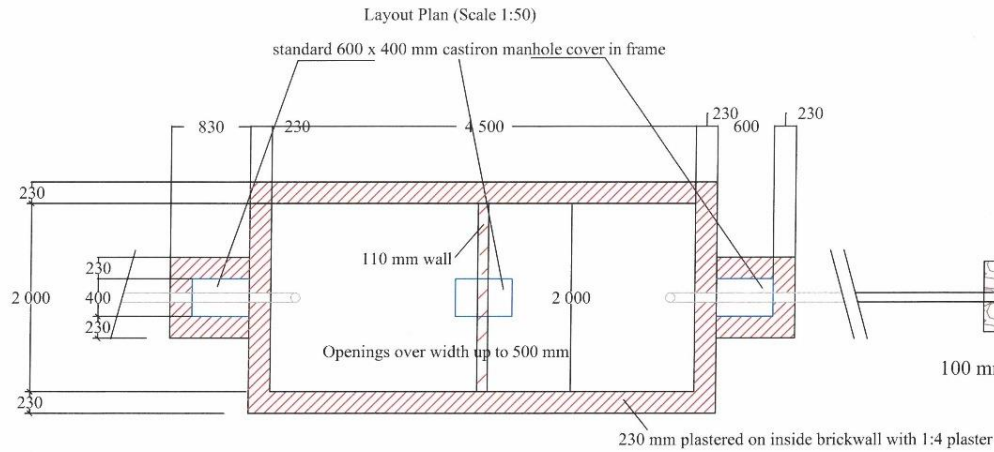


South Elevation (Scale 1:100)



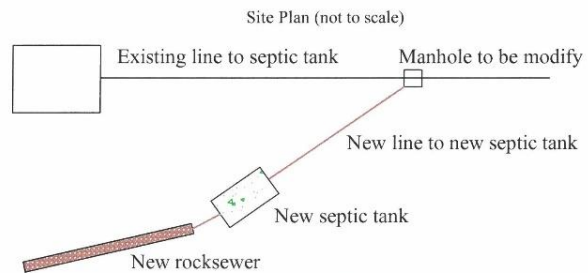
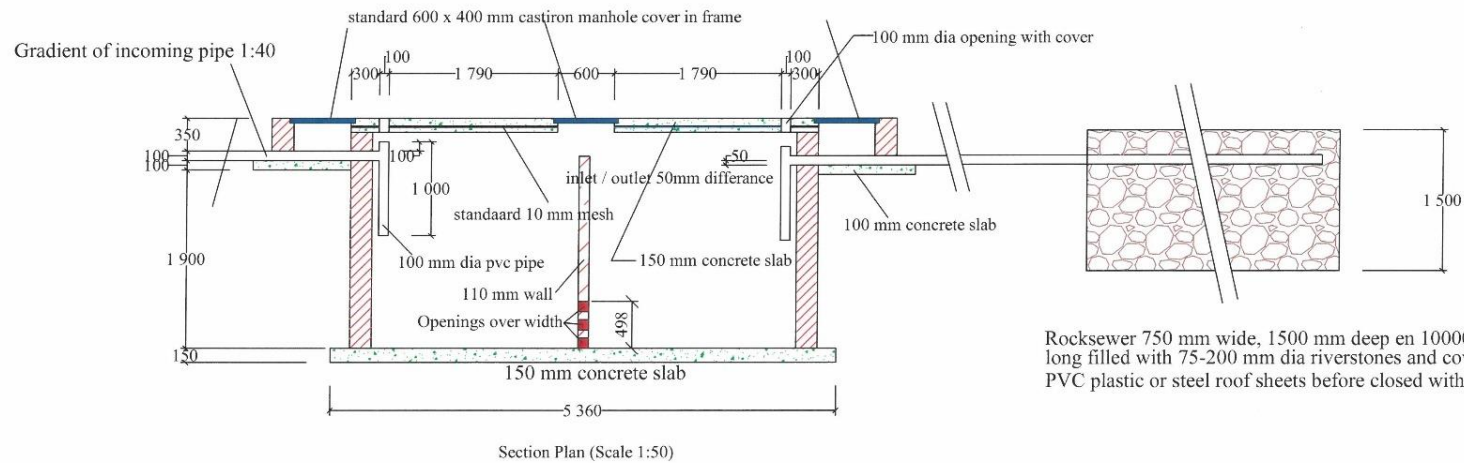
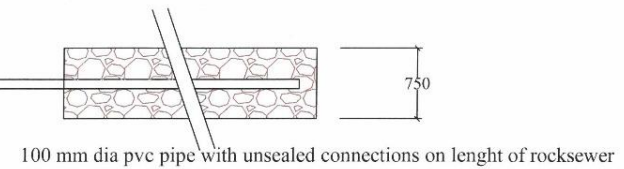
Cut A-A (Scale 1:50)

| | | |
|--|-----------------------|--|
| Proposed ablution facilities upgrading at Errol Moller Primary, Wolseley area | | Cape Winelands District Municipality Worcester Tel. No. 023 348 2300 |
| Scale: As indicated | Layout and Elevations | Christo Swart Pr. Arch. Tech. Reg. No. T0415 |

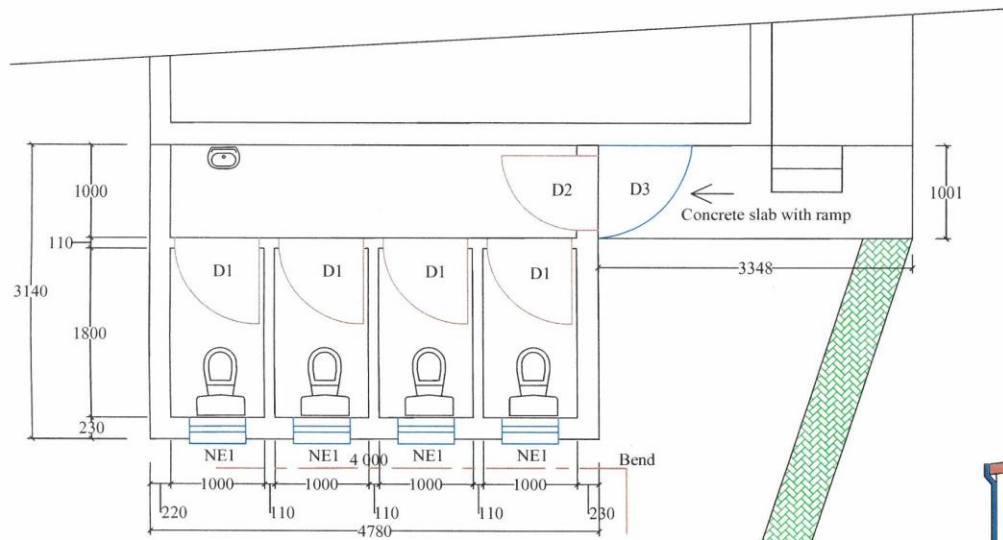


NOTES:

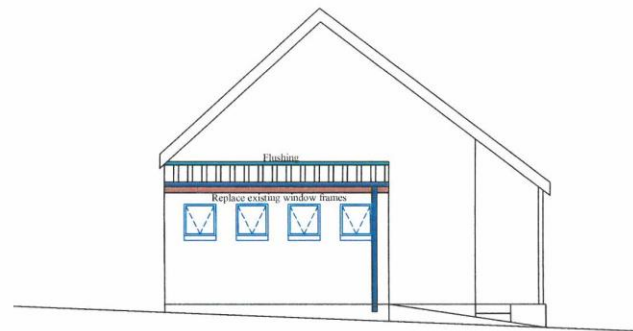
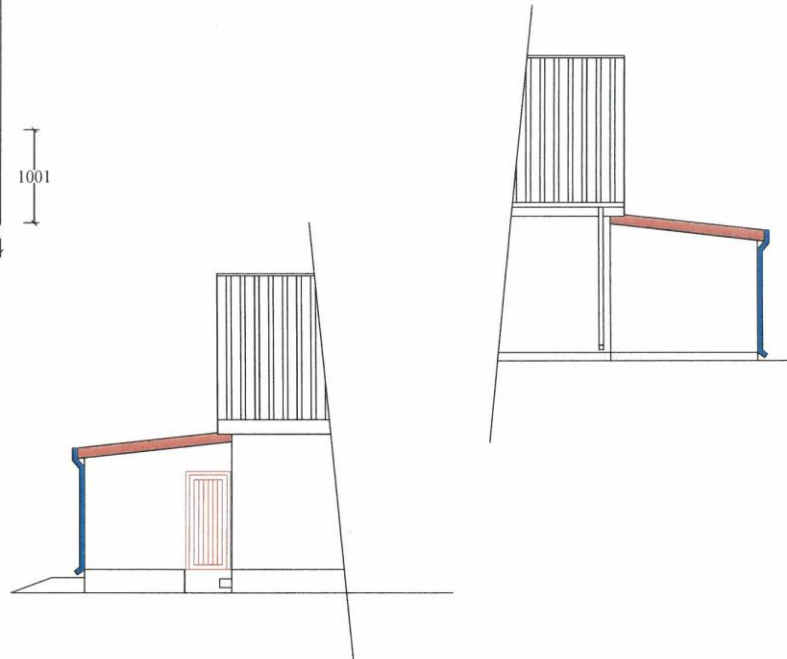
1. All concrete 25 Mpa.
2. Siting of tank to be established on site.
3. All dimensions in millimeter.
4. All manhole covers to be cast iron medium duty type 9D.



| | | |
|---|-------------|--|
| Proposed septic tank for Hugenot VGK Primary | | Cape Winelands District Municipality Worcester Tel. No. 023 348 2300 |
| Scale: As indicated | Septic Tank | Christo Swart Pr. Arch. Tech. Reg. No. T0415 |



Layout Plan (Scale 1:50)



Make provision to link new line to existing line

Existing sewer line

Completion of ablution facilities upgrade
at Aan De Doorns Primary, Worcester area

Cape Winelands District Municipality
Worcester
Tel. No. 023 348 2300
Christo Swart
Pr. Arch. Tech.
Reg. No. T0415

Scale: As indicated

Layout and Elevations